

SPP-N118

- ▣ flow meter, batcher, totalizer
- ▣ 1 input 0/4-20 mA
- ▣ 1 programmable function input
- ▣ 0 or 2 relay (or OC) outputs
- ▣ power supply output 24V DC
- ▣ RS-485 / Modbus RTU

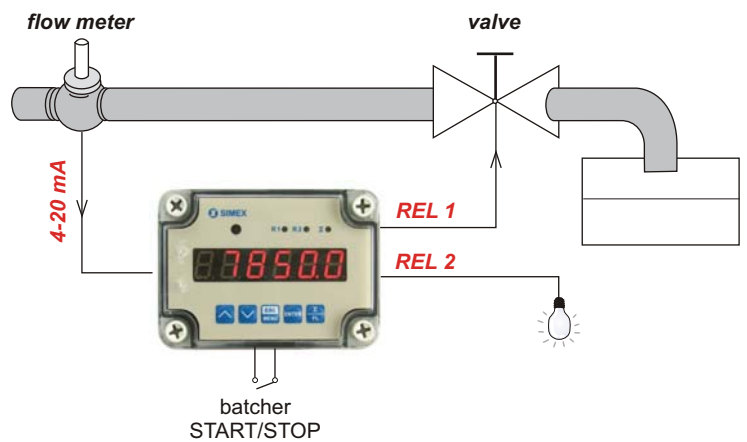
SPP-N118 are the flow meters in tight, wall mounted case (IP 65), designed to work in tandem with the pulse flow transducers with current input of 0-20 mA or 4-20 mA. Wide range of total flow (up to 16 significant digits) enables flow volume control for a long time. Build in a batcher function makes possible application of **SPP-N118** in a wide range of industry branches (food production, pharmacy, paint and varnish). The counters may have 2 relay (or OC) outputs, depending on the actual instantaneous, batcher or total values of the flow (only R1 output).

- display of instantaneous and the total flow values,
- batching and counting of doses,
- setting the volume units, the flow time and decimal point,
- settable delay time of control outputs: up to 99 sec. or min. and threshold hysteresis setting,
- ACCESS option - easy threshold modification.

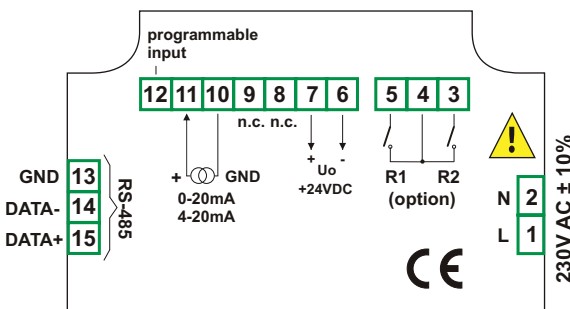


Typical applications

Filling a tank with the flow rate measurement and alarm signalling.



Exemplary pin assignment



Ordering

SPP-N118-11XX-1-X-XX1

- options:**
- 00 : no options
- 08 : operating temp. -20°C ÷ +50°C
- power supply:**
- 1 : 24V DC
- 2 : 230V AC
- 8 : 110V AC
- number of outputs:**
- 0
- 2
- type of outputs:**
- 0 : no output
- 1 : REL
- 2 : OC

Technical data

- Power supply:** 230V AC ± 10% separated, 110V AC ± 5% separated or 24V DC ± 15% not separated
- Power consumption:** for 230V AC and 110V AC: max. 2,6 VA; for 24V DC: max. 4,5 W
- Display:** LED, 6 x 13 mm high, red (green - on request), brightness adjustable in 8 steps
- Inputs:** measurement - current 0-20 mA or 4-20 mA, overload-protected, sinking current limited to about 40 mA
- programmable - binary 24V DC, not separated
- Displayed values range:** 0 ÷ 999999 + decimal point
- Current measurement accuracy:** 0.1% @25°C (for 0÷20 mA range)
- Stability:** 50 ppm/°C
- Accepted prolonged input overload:** 20%
- Resistance of measuring input:** < 65 Ω (typical 55 Ω)
- Instantaneous flow precision:** selected from range: 0 ÷ 0.000
- Instantaneous flow unit:** l or m³ per second, minute or hour
- Totalizer flow range:** over 4 x 10⁹ m³ with max. resistance 0,001 l (max. 16 significant digits)
- Total flow and batcher counter precision:** selected from range: 0 ÷ 0.000
- Batcher counter range:** 65536 m³
- Total flow and batcher counter unit:** l or m³
- Outputs:** 0 or 2; relays 1A/250V AC (cosφ=1) or the OC 30mA/30VDC/100mW
- Transducer power supply output:** 24V DC, non-stabilized, not insulated from measuring inputs; for 230V and 110V AC power supply: ± 3V max. 25 mA; for 24V DC power supply: ± 15% max. 100 mA
- Communication interface:** RS-485, 8N1 and 8N2, 1200 bit/s + 115200 bit/s, Modbus RTU (not galvanically insulated)
- Data memory:** non-volatile memory, EEPROM type
- Operating temperature:** 0°C ÷ +50°C (standard), -20°C ÷ +50°C (option)
- Storage temperature:** -10°C ÷ +70°C (standard), -20°C ÷ +70°C (with option 08)
- Protection class:** IP 65
- Case:** wall-mounted
- Case material:** ABS + fibreglass
- Case dimensions:** without glands: 110 x 80 x 67 mm; with glands: 110 x 105 x 67 mm