

# STI-73

- ▣ ratemeter in a small case
- ▣ 1 pulse input
- ▣ 1 relay (or OC) output (option)
- ▣ power supply output 24V DC
- ▣ RS-485 / Modbus RTU



**STI-73** ratemeters are the board-type ratemeters designed to control rotational speed. Available parameters of divider and multiplier enable flexible scaling of rotational speed and also transformation into material linear speed. They also enable operation in the frequency meter mode. The ratemeters have optionally 1 relay or OC output, programmable depending on the instantaneous rotational speed.

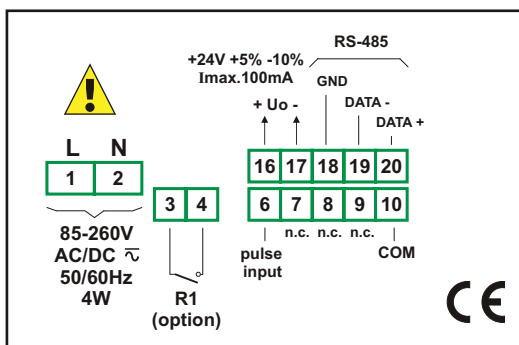
- password protection,
- "over" signalling when the measuring range is exceeded,
- setting the rotational speed units,
- settable delay time of control output: up to 99 sec. or min.,
- settable maximum waiting time for the next rotation,
- threshold hysteresis setting,
- ACCESS option - easy threshold modification,
- versions available with AC and DC power supply.

## Typical applications

1. Measuring the speed of the material being wound, featuring alarm signalling.



## Exemplary pin assignment



## Technical data

**Power supply:** 19V + 50V DC; 16V + 35V AC or 85 + 260V AC/DC, all separated  
**Power consumption:** for 85 + 260V AC/DC and 16V + 35V AC power supply: max. 4,5 VA; 19V + 50V DC power supply: max. 4,5 W  
**Display:** LED, red, 6 x 9 mm high  
**Input:** pulse, galvanically isolated without contacts oscillation damping; maximum input frequency 50 kHz  
**Displayed values range:** 0 + 999999 + decimal point  
**Frequency measurement accuracy:** ± 0.02% (full temperature range)  
**Rotational speed accuracy:** selected in the range 0 + 0,00000  
**Rotational speed unit:** revolutions per second (rps), per minute (rpm), per hour (rph)  
**Pulse waiting time:** settable from 0,1 do 39,9 seconds  
**Outputs:** 0 or 1 relay 1A/250V AC (cosφ=1) or the OC 30mA/30VDC/100mW  
**Transducer power supply output:** 24V DC +5%, -10% / max. 100 mA, stabilized, not insulated from measuring inputs  
**Communication interface:** RS-485, 8N1 and 8N2, 1200 bit/s + 115200 bit/s, Modbus RTU (not galvanically insulated)  
**Data memory:** non-volatile memory, EEPROM type  
**Operating temperature:** 0°C + +50°C  
**Storage temperature:** -10°C + +70°C  
**Protection class:** IP 65 (front), available additional frame IP 65 for panel cut-out sealing; IP 20 (case and connection clips)  
**Case:** board  
**Case material:** NORYL - GFN2S E1  
**Case dimensions:** 72 x 36 x 97 mm  
**Panel cut-out dimensions:** 66,5 x 32,5 mm  
**Installation depth:** min. 102 mm  
**Board thickness:** max. 5 mm

## Ordering

**STI-73-14XX-1-X-XX1**

- options:**
  - 00 : no options
  - 01 : IP 65 frame
- power supply:**
  - 3 : 24V AC/DC
  - 4 : 85V - 260V AC/DC
- type of outputs:**
  - 1 : REL
  - 2 : OC
- number of outputs:**
  - 0
  - 1