

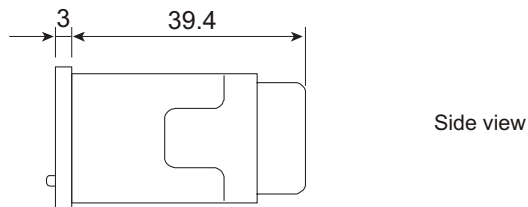
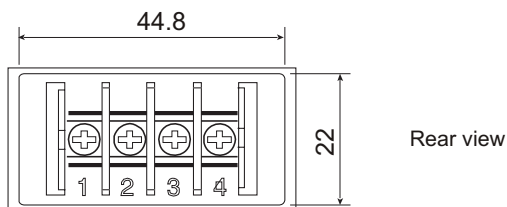
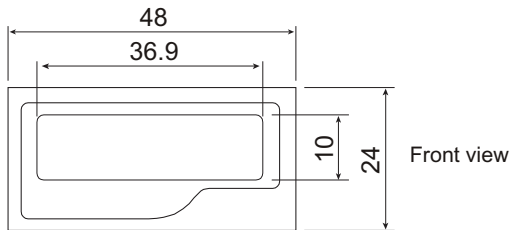
STH-42

- ▣ self-powered, 48 x 24 mm hourmeters
- ▣ dry contact input / OC / voltage
- ▣ remote reset
- ▣ 7 years battery lifetime



The **STH-42** series is a self-powered LCD hourmeter in a small form. With a panel size of DIN 48 x 24 mm, it is perfect for limited space installations. It is powered by a replaceable lithium battery that lasts approximately 7 years, no external power required. The **STH-42** series is available in 7 digits with 8 mm height figures with remote reset. Input signal includes dry contact, open collector, voltage, wide range voltage, with max. resolution 1 count per 1/10 hour. The front panel protection is IP 54 and wiring connection is easily done via the terminal block connector, making it secure and reliable.

Dimensions



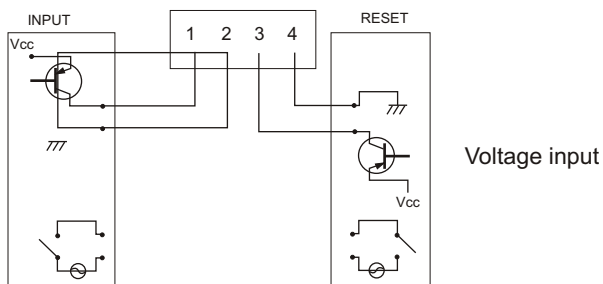
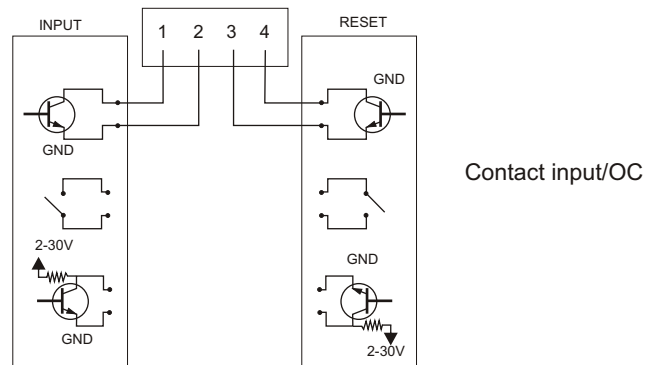
Ordering

STH-42-1X00-0-0-001

input:

4 : dry contact/OC/NPN
E : wide range voltage

Pin assignment



Technical data

Power supply: 3.6V 1/2AA lithium battery (inside), 7 years (replaceable)

Display: 7-Segment LCD, 7 Digits, 8 mm high

Pulse inputs:

- dry contact / Open Collector / voltage (NPN transistor), max. sink current: 8 μ A, input levels: low 0,8 V; high 2 V - 30 V
- wide-range voltage, input levels: low 0 - 10V AC/DC, high 20 - 250V AC/DC; input impedance: 300 k Ω

Reset: front or remote reset: dry contact / Open Collector / voltage (NPN transistor), min. pulse width 6 ms, max. sink current: 8 μ A

Setting range: 0.0 - 999999.9

Resolution: 1 count per 1/10 hour

Operating temperature: -10°C + +55°C

Storage temperature: -20°C + +65°C

Permissible humidity: 25 + 85% RH (non-condensing)

Protection class: IP 54 (panel surface)

Wiring: M3 terminal screw

Case: panel

Case dimensions: 48 x 24 x 42,4 mm

Panel cut-out dimensions: 45 x 22,2 mm

Weight: 50 g (battery included)