

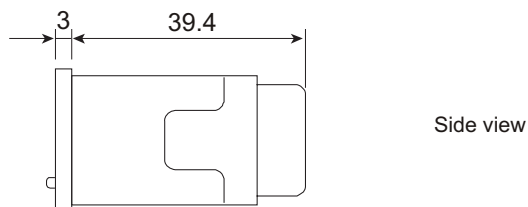
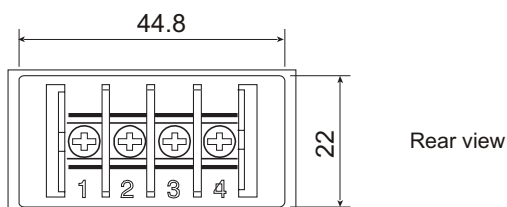
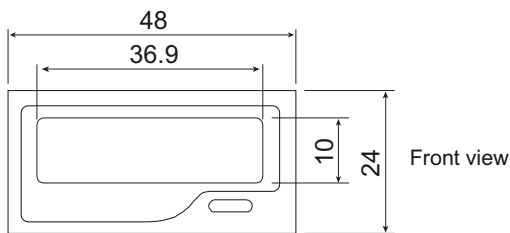
SLE-42

- ▣ self-powered, 48 x 24 mm counters
- ▣ dry contact input / OC / voltage
- ▣ front reset or remote reset
- ▣ 7 years battery lifetime

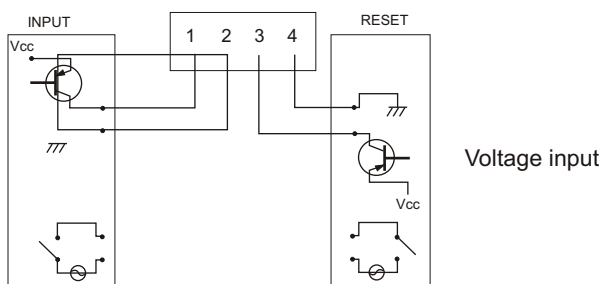
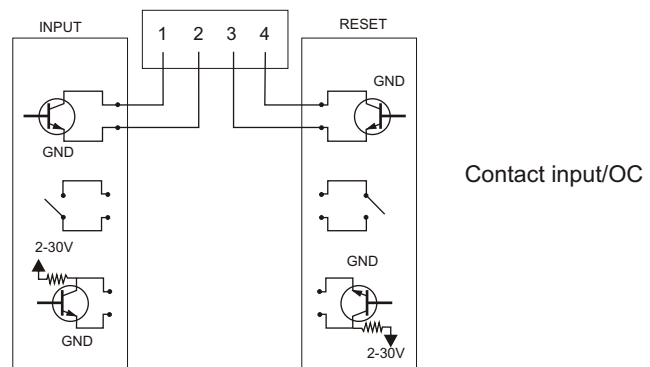


The **SLE-42** series is a self-powered LCD counter in a small form. With a panel size of DIN 48 x 24 mm, it is perfect for limited space installations. It is powered by a replaceable lithium battery that lasts approximately 7 years, no external power required. The **SLE-42** series is available in 7 digits with 8 mm height figures with front reset or remote reset options. Input signal includes dry contact, open collector, voltage, wide range voltage at maximum count speed upto 30 Hz. The front panel protection is IP 54 and wiring connection is easily done via the terminal block connector, making it secure and reliable.

Dimensions



Pin assignment



Technical data

Power supply: 3.6V 1/2AA lithium battery (inside), 7 years (replaceable)

Display: 7-Segment LCD, 7 Digits, 8 mm high

Pulse inputs:

- dry contact / Open Collector / voltage (NPN transistor), max. sink current: 8 μ A, input levels: low 0,8 V; high 2 V - 30 V, max. count speed 30 Hz
- wide-range voltage, input levels: low 0 - 10V AC/DC, high 20 - 250V AC/DC, max. count speed 20 Hz; input impedance: 300 k Ω

Reset: front or remote reset: dry contact / Open Collector / voltage (NPN transistor), min. pulse width 6 ms, max. sink current: 8 μ A

Setting range: 0 - 9999999

Operating temperature: -10°C + +55°C

Storage temperature: -20°C + +65°C

Permissible humidity: 25 + 85% RH (non-condensing)

Protection class: IP 54 (panel surface)

Wiring: M3 terminal screw

Case: panel

Case dimensions: 48 x 24 x 42,4 mm

Panel cut-out dimensions: 45 x 22,2 mm

Weight: 50 g (battery included)

Ordering

SLE-42-1X00-0-0-001

input:

4 : dry contact/OC/NPN

E : wide range voltage