

# SLK-94T

SIMFACT II

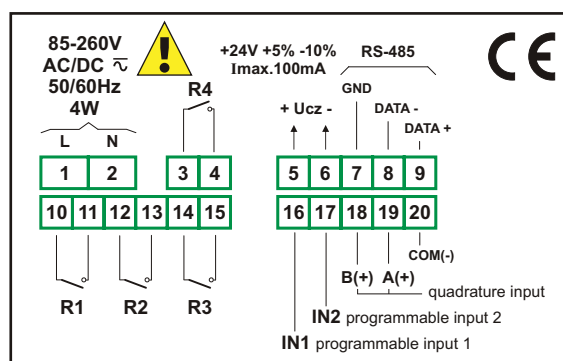
- fast quadrature counter,  $f_{inp.} = 250$  kHz
- 1 pulse quadrature counting input
- 2 programmable function inputs
- 4 relay (or OC) outputs
- programmable marker function



The **SLK-94T** counters are intended for tandem operation with the incremental encoders featuring quadrature outputs. The counters feature 4 relays (or OC outputs) with independently settable activation thresholds, which can be used to control external devices in one of two available operation modes. The counters also have 2 inputs with programmable function.

- fast quadrature input up to 250 kHz,
- 2 inputs with programmable function,
- 5 counter reset sources,
- automatic reset option,
- password protection,
- relays (or OC) operation time programmable to 99 min.,
- programmable multiplier, divider and offset (4 profiles),
- programmable decimal point position,
- ACCESS option - easy threshold modification,
- available with AC and DC power supply versions.

## Exemplary pin assignment



## Ordering

SLK-94T-164X-1-X-XX1

### options:

- 00 : no options
- 01 : IP 65 frame

### power supply:

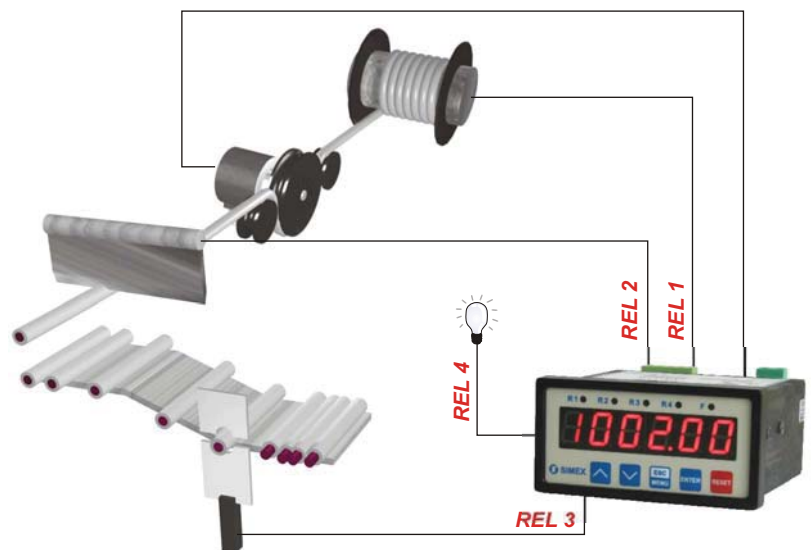
- 3 : 24V AC/DC
- 4 : 85V - 260V AC/DC

### type of outputs:

- 1 : REL
- 2 : OC

## Typical applications

- Measuring the length of wound material plus control of the cutting knife actuator according to predefined parameters, control of the material travel drive and alarm signalling.



## Technical data

**Power supply:** 19V ± 50V DC; 16V ± 35V AC or 85 ± 260V AC/DC, all separated

**Power consumption:** for 85 ± 260V AC/DC and 16V ± 35V AC power supply: max. 4,5 VA; 19V ± 50V DC power supply: max. 4,5 W

**Display:** LED, 6 x 13 mm high, red (green - on request)

**Inputs:** pulse, galvanically insulated

- A and B inputs - quadrature, counting
- IN1 input - programmable
- IN2 input - programmable
- COM input - common

**Input levels:** low: 0 V ± 1 V  
high: 10 V ± 30 V (max. 12 mA for 24V)

**Max. input frequency:** 250 kHz

**Displayed values range:** current values counter -99999 ± 999999 ± decimal point  
cycles counter ("normal" mode) 0 ± 999999  
cycles counter ("marker" mode) -99999 ± 999999 ± decimal point  
totalizer counter -9999999999 ± 9999999999

**Outputs:** 4 relays 1A/250V AC ( $\cos\phi=1$ ) or the OC 30mA/30VDC/100mW

**Transducer power supply output:** 24V DC ± 5%, -10% / max. 100 mA, stabilized, not insulated from communication interface

**Communication interface:** RS-485, 8N1 and 8N2, 1200 bit/s + 115200 bit/s, Modbus RTU (not galvanically insulated)

**Data memory:** non-volatile memory, EEPROM type

**Operating temperature:** 0°C ± +50°C

**Storage temperature:** -10°C ± +70°C

**Protection class:** IP 65 (front), available additional frame IP 65 for panel cut-out sealing; IP 20 (case and connection clips)

**Case:** board

**Case material:** NORYL - GFN2S E1

**Case dimensions:** 96 x 48 x 100 mm

**Panel cut-out dimensions:** 90,5 x 43 mm

**Installation depth:** min. 102 mm

**Board thickness:** max. 5 mm