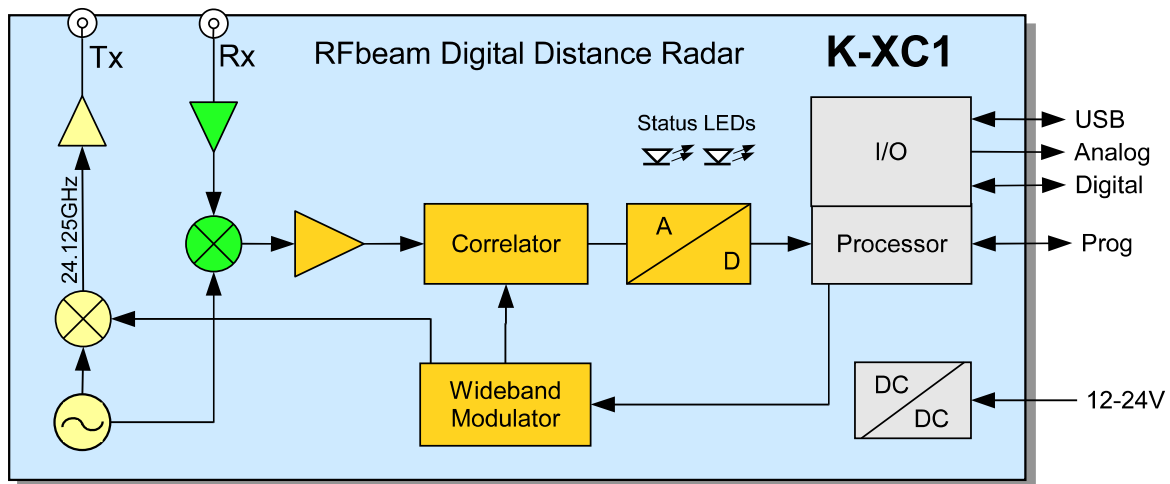


K-XC1 DIGITAL DISTANCE RADAR

High Resolution Distance and Level Sensor

Highlights

- Principle: Digital Wide Band Modulation
- Technology: Ultra Highspeed Signal Processing
- Frequency: ISM 24GHz K-Band
- Distance Resolution: 1cm
- Max Distance: >10m Depending on Object and Antenna
- Recognition: Multi Target Recognition
- Conversion Speed: 100 samples/s
- Data Processing: Fully Integrated on Board
- Host Interfaces: USB, Digital, Analog, Configurable
- Antenna: Waveguide and Planar Antenna Options



Application Examples

- Positioning Detectors
- Collision Warning Systems
- Obstacle Detectors
- Presence and Security Sensors
- Level Meters for Fluid and Granulate Tanks