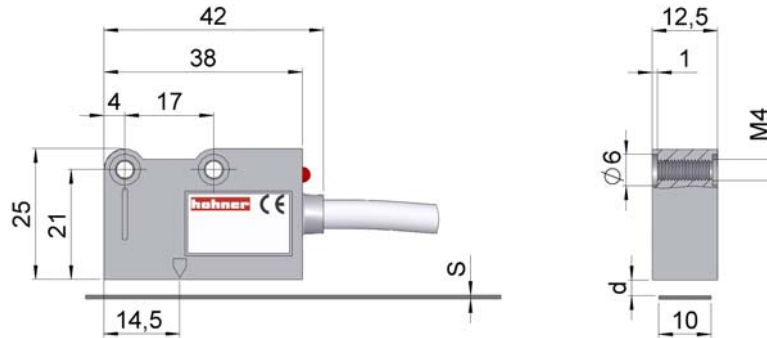
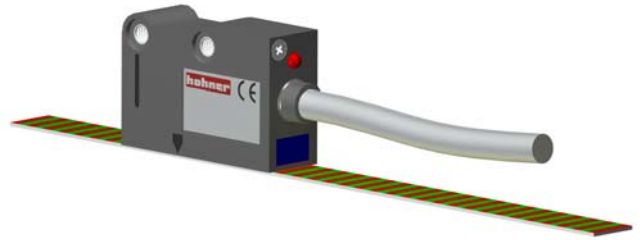


# MAGNETIC SENSOR **MSH**

## MAGNETIC SYSTEM, LINEAL MEASUREMENT

- Magnetic detection without contact
- Easy mounting
- Resolution up to 0,5  $\mu\text{m}$ .
- Accuracy  $\pm 10 \mu\text{m}$
- Polar pitch 1+1
- Protection class IP67
- Metallic cover
- External or integrated zero reference



Magnetic band CSH

S (mm)	CSH	CSH + PS*	CSH + AP*
		1.3	1.6
d(mm)	0,1 + 0,5	-	-

## SENSOR SPECIFICATIONS

Resolution	0'5, 1, 5, 10 $\mu\text{m}$ .
Accuracy	$\pm 10 \mu\text{m}$ .
Repeatability	$\pm 1$ increment.
GAP, distance sensor/band (d) (see previous table)	0,1 a 0,5 mm.
Speed	0,6 m/s (MSH0,5) / 1,2 m/s (other resolutions).
Body	Metallic.
Protection class	IP67.
Operating temperature	-10 .. 70° C.
Storage temperature	-20° .. 80° C.
Humidity	100% not condensed.
Vibration	300 m/s <sup>2</sup> (55 + 2000 Hz).
Shock	1000 m/s <sup>2</sup> (11ms).
Weight	40g.
Connection	Cable 2 metres.

## ALIGNMENT AND SENSOR MOUNTING

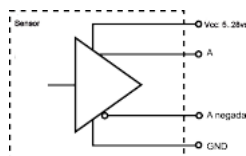
### ■ Sensor - Band



Dimensions in millimeters

## ELECTRICAL SPECIFICATIONS

### OUTPUT SIGNALS



#### Line Driver

Power supply	5..28v ±5%
Load without charge	Max: 60 mA
Load with charge	140 mA MAX (Vdc= 5v y Z =120Ω) 115 mA MAX (Vdc=12v y Z =1,2kΩ) 90 mA MAX (Vdc=28v y Z =1,2kΩ)
Frecuency	300 kHz
Shortcircuit protection	Yes
Protection against polarity inversion	Yes
Channel A leads 90° electric channel B	

### CONNECTION



#### Cable 3x2x0,14+2x0,34

GND	Blue
Vcc	Red
A	Green
B	White
A inverted	Orange
B inverted	Sky blue
0 (reference)	Brown
0 inverted	Yellow

## SENSOR ORDERING CODE

SERIE	RESOLUTION	POWER SUPPLY	SPECIAL CUSTOMER
<b>MSH</b> Polar pitch 1+1	● 0,5- 0,5 μm 1- 1 μm 5- 5 μm 10- 10 μm	● 528- 5..28v	● ●

## BAND SPECIFICATIONS

Polar pitch	1+1 mm.
Accuracy at 20°C	± 30 μm/metre.
Width band	10 mm.
Thickness "S" (see table previous page)	1,3 mm.
Maximum length	50 m.
Thermal expansion	10,5 x 10 <sup>-6</sup> °C <sup>-1</sup> . Tref: 20°C ± 0,1°C.
Bending radius	min. 130 mm.
Operating temperature	-10 .. 70° C.
Storage temperature	-20° .. 80° C.

## BAND REFERENCE

SERIE	LENGTH (in mm)	SPECIAL CUSTOMER
<b>CSH</b>	● ● ● ●	● ●