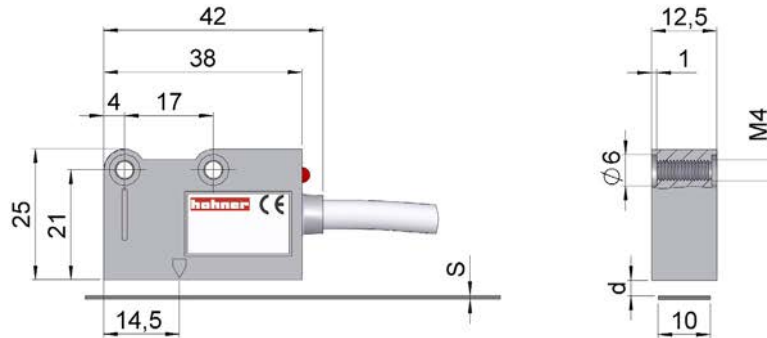
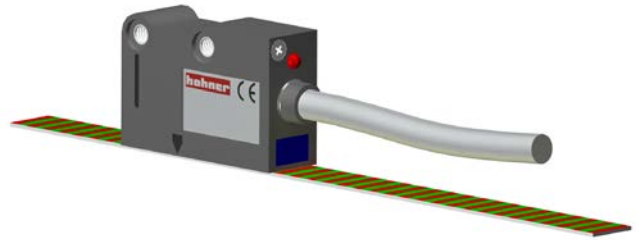


MAGNETIC SENSOR **MSL**

MAGNETIC SYSTEM, LINEAL MEASUREMENT

- Magnetic detection without contact
- Easy mounting
- Resolution up to 5 µm.
- Accuracy ± 40 µm
- Polar Pitch 5+5
- Protection class IP67
- Metallic cover
- External or integrated zero reference



Magnetic band with integrated zero CSLZ

S (mm)	CSLZ	CSLZ + PS	CSLZ + AP
	1.3	1.6	2.1
d(mm)	0,3 + 3,0	2,7 MAX	2,2 MAX

Magnetic band CSL

S (mm)	CSL	CSL + PS*	CSL + AP*
	1.3	1.6	2.1
d(mm)	0.3+3.5	3.2 MAX	2.7 MAX

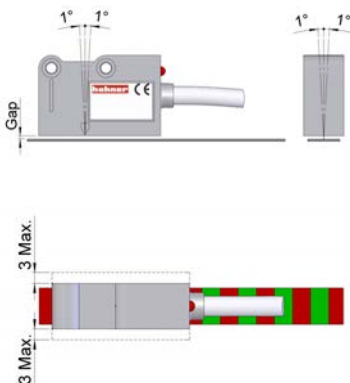
* PS and AP see accessories section

SENSOR SPECIFICATIONS

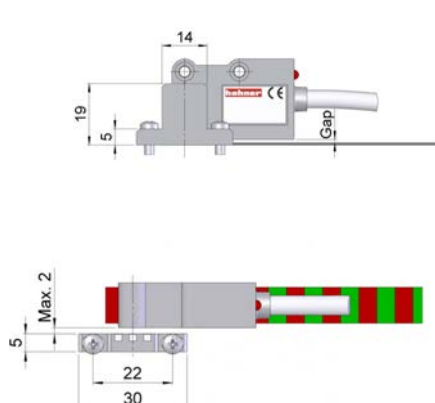
Resolution	5, 10, 25, 50 and 100 µm.
Accuracy	±40 µm.
Repeatability	±1 increment.
GAP, distance sensor/band (d) (see previous table)	0,3 to 3,5 mm.
Speed	6 m/s (MSL5) / 12 m/s (other resolutions).
Body	Metallic.
Protection class	IP67.
Operating temperature	0 .. 50° C.
Storage temperature	-20° .. 80° C.
Humidity	100% not condensed.
Vibration	300 m/s ² (55 ÷ 2000 Hz).
Shock	1000 m/s ² (11ms).
Weight	40g.
Connection	Cable 2 metres.

ALIGNMENT AND SENSOR MOUNTING

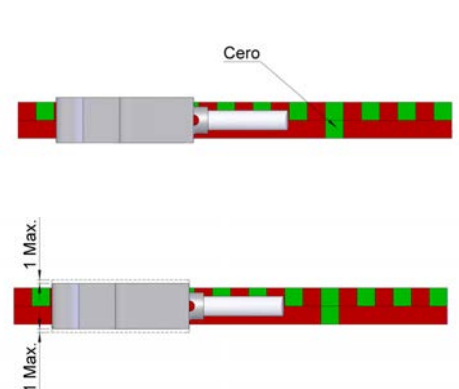
■ Sensor - Band



■ Sensor with external zero - Band



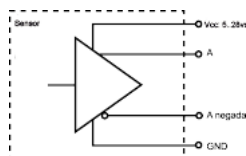
■ Sensor with integrated zero



Dimensions in millimeters

ELECTRICAL SPECIFICATIONS

OUTPUT SIGNALS



Line Driver

Power supply	5..28v ±5%
Load without charge	Max: 60 mA
Load with charge	140 mA MAX (Vdc= 5v y Z =120Ω) 115 mA MAX (Vdc=12v y Z =1,2kΩ) 90 mA MAX (Vdc=28v y Z =1,2kΩ)
Frecuency	300 kHz
Shortcircuit protection	Yes
Protection against polarity inversion	Yes
Channel A leads 90° electric channel B	

CONNECTION



Cable 3x2x0,14+2x0,34

GND	Blue
Vcc	Red
A	Green
B	White
A inverted	Orange
B inverted	Sky blue
0 (reference)	Brown
0 inverted	Yellow

SENSOR REFERENCE

SERIE	RESOLUTION	ZERO	POWER SUPPLY	SPECIAL CUSTOMER
MSL	●	●	●	● ●
Polar pitch 5+5	5- 5 µm 10- 10 µm 25- 25 µm 50- 50 µm 100- 100 µm	E- External Z- Integrated	528- 5..28v	

BAND SPECIFICATIONS

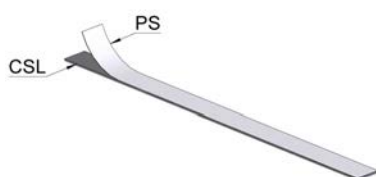
Polar pitch	5+5 mm.
Accuracy at 20°C	± 30 µm/metro.
Width band	10 mm.
Thickness band "S" (see table previous pag)	1,3 mm.
Maximum length	50 m.
Thermal expansion	10,5 x 10 ⁻⁶ °C ⁻¹ . Tref: 20°C ± 0,1°C.
Bending radius	min.130 mm.
Operating temperature	0 - 70° C.
Storage temperature	-20° .. 80° C.

BAND SPECIFICATIONS

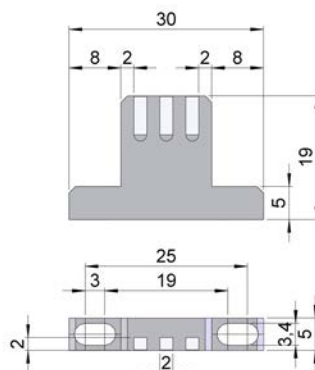
SERIE	ZERO	LENGHT (in mm)	ZERO POSITION (in mm)	SPECIAL CUSTOMER
CSL	●	● ● ● ● ●	● ● ● ● ●	● ●
	- : Without zero Z : Integrated			

ACCESSORIES

Cover for band protection : PS



External zero: EC



Aluminium support : AP

