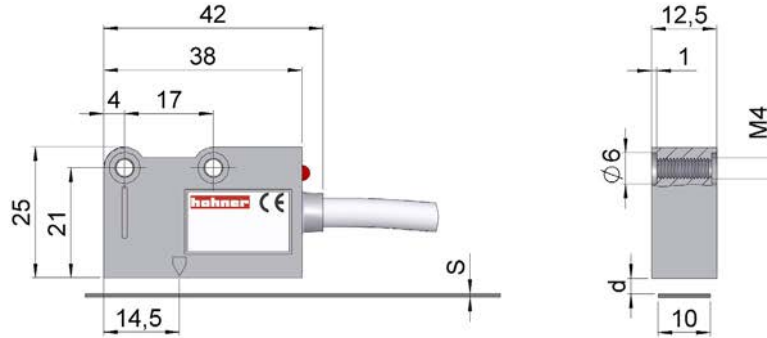
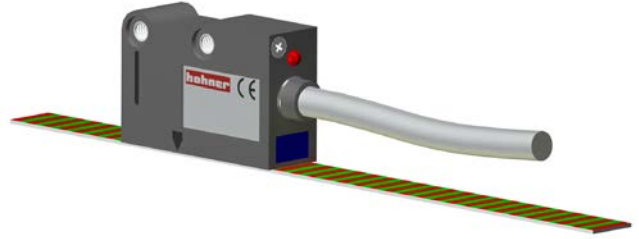


MAGNETIC SENSOR **MSM**

MAGNETIC SYSTEM, LINEAL MEASUREMENT

- Magnetic detection without contact
- Easy mounting
- Resolution up to 1 µm.
- Accuracy ± 15 µm
- Polar Pitch 2+2
- Protection class IP67
- Metallic cover
- External or integrated zero reference



Magnetic band with integrated zero CSMZ

S (mm)	CSMZ	CSMZ + PS	CSMZ + AP
	1,3	1,6	2,1
d(mm)	0,35 + 0,9	0,7 MAX	0,2 MAX

Magnetic band CSM

S (mm)	CSM	CSM + PS*	CSM + AP*
	1,3	1,6	2,1
d(mm)	0,3+1,5	1,2 MAX	0,7 MAX

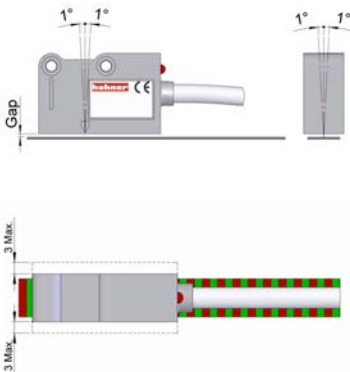
* PS and AP see accessories section

SENSOR SPECIFICATIONS

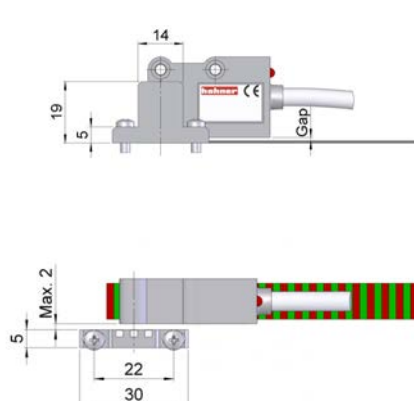
Resolution	1, 5, 10, 25, 50, 100, 500 and 1000 µm.
Accuracy	±15 µm.
Repeatability	±1 increment.
GAP, distance sensor/band (d). See previous table)	0,3 to 1,5 mm.
Speed	1,2 m/s (MSM1) / 12 m/s (other resolutions).
Body	Metallic.
Protection class	IP67.
Operating temperature range	0 .. 50° C.
Storage temperature range	-20° .. 80° C.
Humidity	100% not condensed.
Vibration	300 m/s ² (55 ÷ 2000 Hz).
Shock	1000 m/s ² (11ms).
Weight	40g.
Connection	Cable 2 metres.

ALIGNMENT AND SENSOR MOUNTING

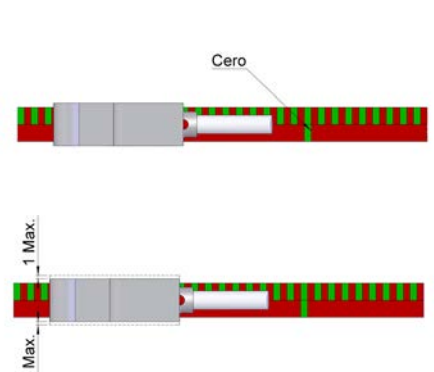
■ Sensor - Band



■ Sensor with external zero - Band



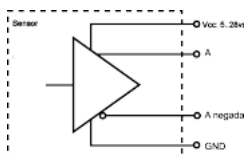
■ Sensor with integrated zero



Dimensions in millimeters

ELECTRICAL SPECIFICATIONS

OUTPUT SIGNALS



Line Driver

Power supply	5..28v ±5%
Load without charge	Max: 60 mA
Load with charge	140 mA MAX (Vdc= 5v y Z =120Ω) 115 mA MAX (Vdc=12v y Z =1,2kΩ) 90 mA MAX (Vdc=28v y Z =1,2kΩ)
Frecuency	300 kHz
Shortcircuit protection	Yes
Protection against polarity inversion	Yes
Channel A leads 90° electric channel B	

CONNECTION



Cable 3x2x0,14+2x0,34

GND	Blue
Vcc	Red
A	Green
B	White
A inverted	Orange
B inverted	Sky blue
0 (reference)	Brown
0 inverted	Yellow

SENSOR ORDERING CODE

SERIE	RESOLUTION	ZERO	POWER SUPPLY	SPECIAL CUSTOMER
MSM	●	●	●	● ●
Polar pitch 2+2	1- 1 µm 5- 5 µm 10- 10 µm 25- 25 µm 50- 50 µm 100- 100 µm 500- 500 µm 1000-1000 µm	E- External Z- Integrated	528- 5..28v	

BAND SPECIFICATIONS

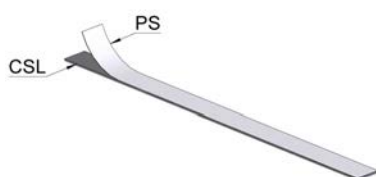
Polar Pitch	5+5 mm.
Accuracy to 20°C	± 30 µm/metre.
Width band	10 mm.
Thickness band "S" (See table previous page)	1,3mm.
Maximum length	50 m.
Thermal expansion	10,5 x 10 ⁻⁶ °C ⁻¹ . Tref: 20°C ± 0,1°C.
Bending radius	min. 130 mm.
Operating temperature	0 - 70° C.
Storage temperature	-20° .. 80°.

BAND ORDERING CODE

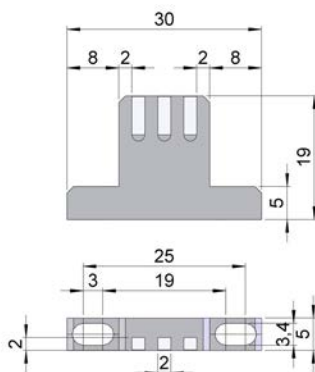
SERIE	ZERO	LENGHT (in mm)	ZERO POSITION (in mm)	SPECIAL CUSTOMER
CSM	●	● ● ● ● ●	● ● ● ● ●	● ●
	- : Without zero Z : Integrated			

ACCESSORIES

Cover for band protection : PS



External zero : EC



Aluminium support : AP

