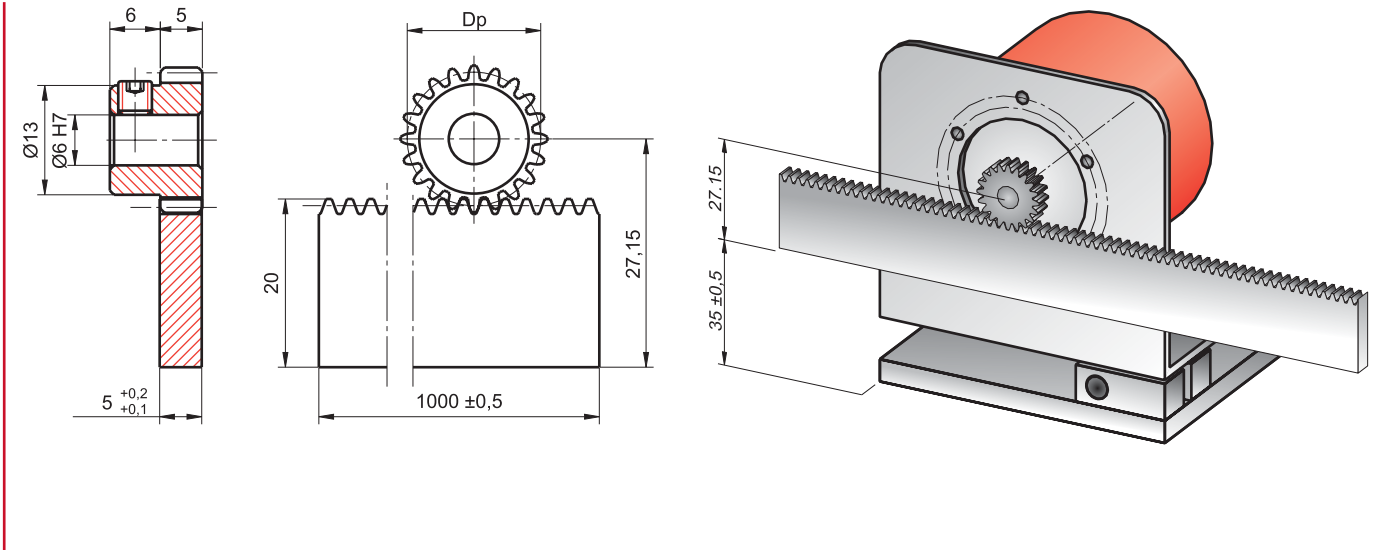


PINION AND RACK

PINION AND RACK SYSTEM

This system consists of a modular, straight tooth pinion and a special rack with a modified pitch that achieves an exact movement of 50mm per turn of the pinion, something that is not possible with conventional racks. If

the pinion is secured directly to the encoder shaft, then a flexible support angle should be employed so that the bearings are not excessively loaded.



TECHNICAL SPECIFICATIONS

	PINION	RACK
Model	90.9307	90.9306
Reference	Treated steel	steel
Material	$m = DP32 (0,79375)$	$m = 0,79577$
Module	$Z = 20$	
Teeth		$p = 2,5 \text{ mm}$
Pitch		There is the possibility of joining several sections TRAVEL 1 turn = 50 mm