

Quadro-G

sensors



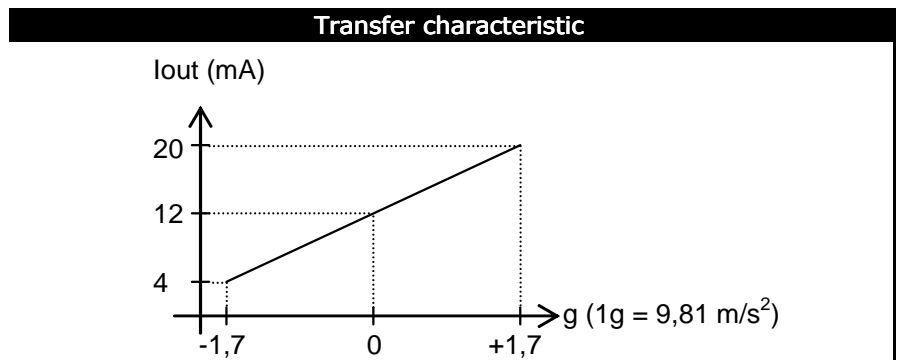
QG30-KAX-1,7-AI-K
Acceleration sensor X axis
Analog output 4 - 20 mA
Supply voltage 10 - 30 Vdc
Measuring range ±1,7G



Application	
Housing	Quadro30: PBTP black
Dimensions	30 x 30 x 15 mm
Mounting	2x stainless M3x16 screws
Protection	IP67
Humidity	0 - 100%
Weight	ca 15 gram (excl. cable)
Supply voltage	10 - 30 Vdc
Polarity protection	Yes
Current consumption	≤ 30 mA
Operating temperature	-25...+85°C
Storage temperature	-25...+85°C
Measuring range	X-axis: ± 1,7G
Output signal	4 - 20 mA
Output load	Rload ≤ 50*Vop - 125 (Ω) (Eg: Vop = 24V: Rload ≤ 1075 Ω)
Short circuit protection	Yes (max 10 s)
Frequency response (-3 dB)	0 - 50 Hz (± 30 Hz)
Accuracy	
Resolution	11-bit
Non linearity	± 2,5%
Max mechanical shock	20.000 g
Status LED	Optional
Connector	Optional
Cable	2 m PVC, black Ø 4,6 mm, wires: 3x0,34 mm ²
Wire coding	Brown + Supply voltage Black Output Blue Gnd

1-axis acceleration monitoring	
Housing	Quadro30: PBTP black
Dimensions	30 x 30 x 15 mm
Mounting	2x stainless M3x16 screws
Protection	IP67
Humidity	0 - 100%
Weight	ca 15 gram (excl. cable)
Supply voltage	10 - 30 Vdc
Polarity protection	Yes
Current consumption	≤ 30 mA
Operating temperature	-25...+85°C
Storage temperature	-25...+85°C
Measuring range	X-axis: ± 1,7G
Output signal	4 - 20 mA
Output load	Rload ≤ 50*Vop - 125 (Ω) (Eg: Vop = 24V: Rload ≤ 1075 Ω)
Short circuit protection	Yes (max 10 s)
Frequency response (-3 dB)	0 - 50 Hz (± 30 Hz)
Accuracy	
Resolution	11-bit
Non linearity	± 2,5%
Max mechanical shock	20.000 g
Status LED	Optional
Connector	Optional
Cable	2 m PVC, black Ø 4,6 mm, wires: 3x0,34 mm ²
Wire coding	Brown + Supply voltage Black Output Blue Gnd

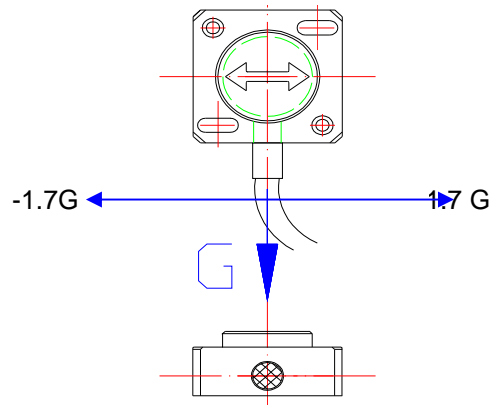
QG30-KAX-1,7-AI-K
$I_{out} = 12 + g * 4,706 \text{ [mA]}$ <p>I_{out} is a linear function of the acceleration.</p>



QG30-KAX-1,7-AI-K

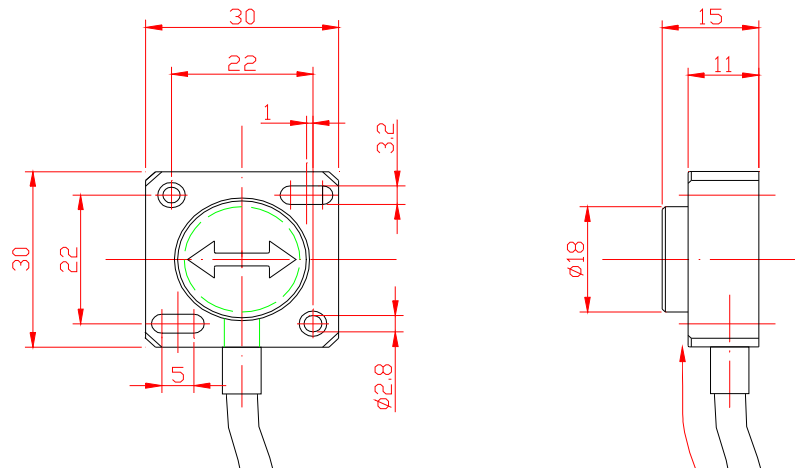
The QG30 can be used in both vertical and horizontal mounting position.

Measurement orientation



QG30-KAX-1,7-AI-K

Mechanical dimensions



QG30-KAX-1,7-AI-K

CE conformity

Test standards and regulations

The model QG30 complies with the requirements of the standards EN50081-1 and EN50082-1.