

# QR series



QR30-360PI-CK

## Incremental rotary encoder (contactless)

Output 1024ppr  
A/B pulse: push-pull  
0,7V - (Vsupply-0,7V)

Supply voltage  
8 - 30V dc

Measuring range  
360°



### General specifications v20130125

Housing	Quadro30: PBT black
Dimensions	30x30x15 mm
Mounting	2x steel zinc plated M3x16 mm screws
Ingress Protection (IEC 60529)	IP67
Weight	approx 15 gr (excl. cable)
Magnet type	8x5,5x11,2 mm Neodymium/N35/nickel coated/remanention 1,2 T
Magnet distance to sensor	0,5 to 3 mm
Max magnet misalignment	± 0,25 mm off axis
Direction of magnetization	Axial in 8 mm (N marked with red dot)
Supply voltage	8 - 30V dc
Polarity protection	Yes
Current consumption	≤ 25 mA
Operating temperature	-25 to 85°C
Storage temperature	-25 to 85°C
Measuring range	360°
Programmable center position	No
Accuracy	
Resolution	1024 pulses/rev. factory programmed
Max offset error	Not applicable
Non linearity	Not applicable
Repeatability	Not applicable
Response time	not applicable
Max speed	15000 rpm
Output signal	A/B pulse: push-pull 0,7V - (Vsupply-0,7V)
Short circuit protection	No
Output load resistor	≥ 500 Ω
Connection	Cable 2 m PVC/PVC Liyy, black Ø 4,6 mm, wires: 4x0,25 mm <sup>2</sup> Sensor colors (static usage)
Wire coding	Brown + Supply voltage Black A output Blue Gnd White B output

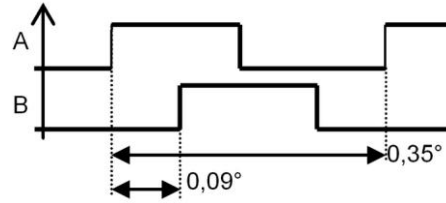
# QR series



## QR30-360PI-CK

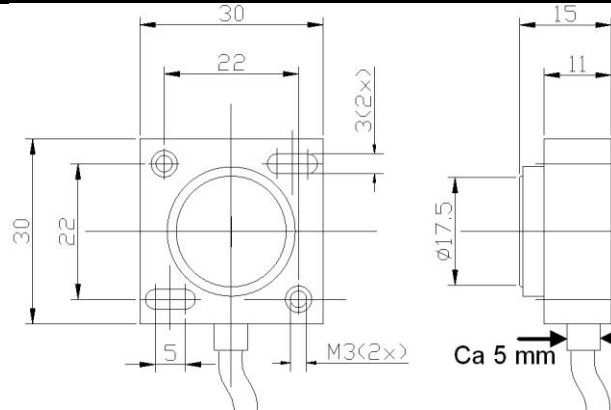
A/B pulse: push-pull  
 $V_{out} = 0,7V - (V_{supply} - 0,7V)$   
 A leads B rotating clockwise  
 (magnet side view)

## Transfer characteristic



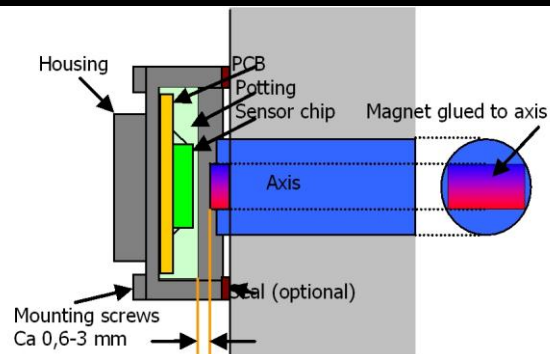
## QR30-360PI-CK

## Dimensions



## QR30-360PI-CK

## Application example



## QR30-360PI-CK

The magnet is drawn in the 0° position.  
 90° position: N pole towards cable.  
 The north pole is indicated with a red dot.

## Magnet position

