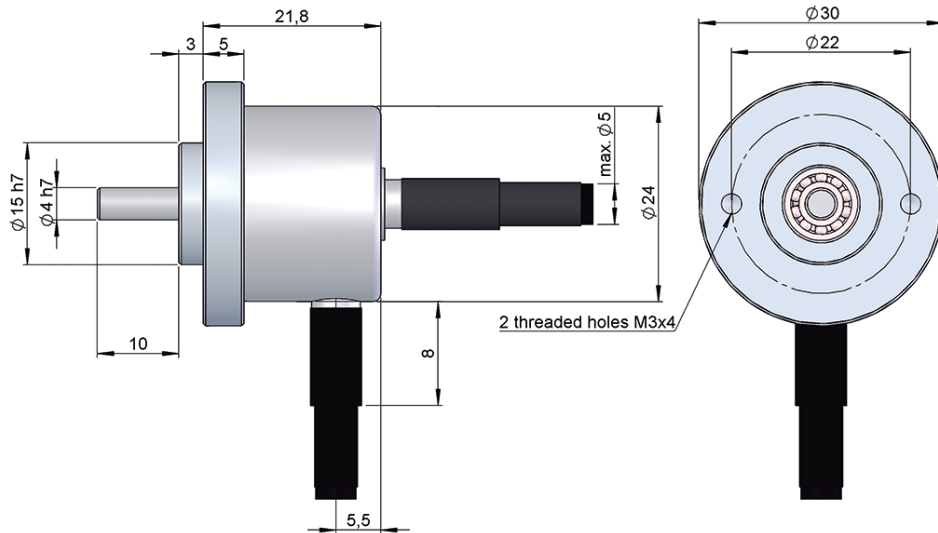




SERIE 27

MINIATURE SOLID SHAFT INCREMENTAL ENCODER FOR INDUSTRIAL APPLICATIONS

- Resolution up to 1024 pulses per turn
- External diameter 24 mm, mounting flange 30 mm
- Shaft 4 or 6 mm
- Protection class IP64 according to DIN EN 60529
- Connection by cable (any cable length available) or air industrial connector



Drawing shaft type 1, connection type 1/2

REFERENCE

Reference example : 27-1721-500

Serie	Shaft	Output signals	Connection	Electronic output	Pulses number	Special customer
27 -	<input type="checkbox"/>	<input type="checkbox"/>	<input type="checkbox"/>	<input type="checkbox"/> -	<input type="checkbox"/> <input type="checkbox"/> <input type="checkbox"/> <input type="checkbox"/>	<input type="checkbox"/> <input type="checkbox"/> <input type="checkbox"/> <input type="checkbox"/>
	1. Ø4 mm 2. Ø6 mm	2. A+B 3. A+B+0 7. AÃ+BB+0Ã 8. AÃ+BB	1. Axial cable 2. Radial cable	1. Differential line driver. Push-Pull 11..30V 2. Standard RS422. 5V. Compatible TTL		TT00. -40°C



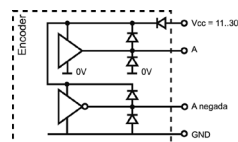
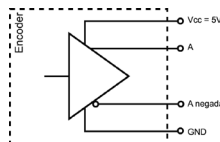
SERIE 27

MINIATURE SOLID SHAFT INCREMENTAL ENCODER FOR INDUSTRIAL APPLICATIONS

MECHANICAL SPECIFICATIONS

Materials	Cover: Aluminium Housing: Aluminium Shaft: Stainless Steel
Bearings	Ballraces
Bearings lifetime	1x10 ¹⁰ rev.
Maximum number of revolutions permitted mechanically	6000 rpm
Protection against dust and splashes according to DIN EN 60529	IP64
Rotor inertia moment	2 gcm ²
Starting torque at 20°C (68°F)	Max. 0,1 Ncm
Maximum load permitted on axial shaft	20 N
Maximum load permitted on radial shaft	10 N
Weight aprox.	0,06 Kg
Operating temperature range	-20°C a +80°C - Standard -40°C a +80°C - Special Customer AT
Vibration	100 m/s ² (10Hz...2000Hz)
Shock	1000 m/s ² (6ms)
Maximum pulses per turn	1.024
Axial or radial connection	Cable 2 meters (other cable lengths available on order) or air industrial connector

OUTPUT SIGNALS



	RS422 (TTL compatible)	Push-Pull Differential
Power supply	5 V ±5%	11...30 V
Consumption	Typical: 70 mA Max: 150 mA	Typical: 45 mA Max: 150 mA
Max. load capability	±20 mA	±30 mA
Length of cable allowed	1200 m	100 m
"Low" signal level	VOL < 0,5 V	VOL < 2.5 V
"High" signal level	VOH > 2.5 V	VOH > Vcc - 3 V
Frequency	300 kHz	200 kHz
Short circuit protection	Yes	Yes
Protection against polarity inversion	No	Yes
Channel A leads (90° electric) channel B		

SERIE 27

MINIATURE SOLID SHAFT INCREMENTAL ENCODER FOR INDUSTRIAL APPLICATIONS

CONNECTION



	Cable 5x0,14	Cable 8x0,14
GND	White	White
Vcc	Brown	Brown
A	Green	Green
B	Yellow	Grey
A inverted		Yellow
B inverted		Pink
0 (reference)	Grey	Blue
0 inverted	Grey	Red