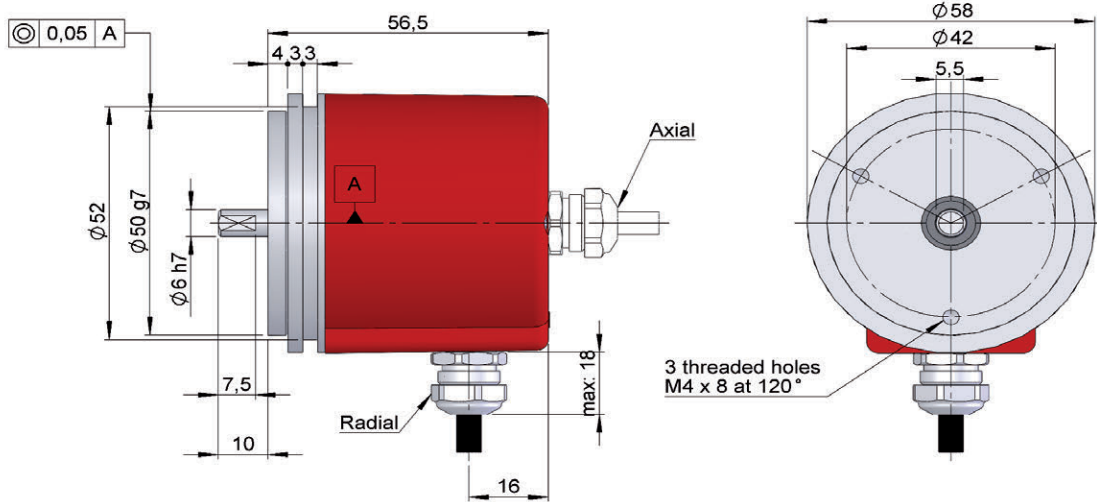
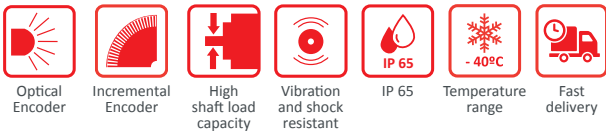




SERIE 58

HIGH RESOLUTION INCREMENTAL SOLID SHAFT ENCODER FOR INDUSTRIAL APPLICATIONS

- Any number of pulses available from 1 to 50.000 pulses
- External diameter 58 mm
- Shaft 6 mm
- Synchro flange
- Protection class IP65 according to DIN EN 60529
- Connection by cable (any cable length available) or industrial connector
- Female connector included



Drawing shaft type 1, connection type 1/2, without flange

REFERENCE Reference example: 58-11111-1024

Serie	Shaft	Flange	Output signals	Connection	Power Supply / Electronic outp.	Pulses number	Special customer
58 -	<input type="checkbox"/>	<input type="checkbox"/>	<input type="checkbox"/>	<input type="checkbox"/>	<input type="checkbox"/> -	<input type="checkbox"/> <input type="checkbox"/> <input type="checkbox"/> <input type="checkbox"/> <input type="checkbox"/> <input type="checkbox"/> (*)	<input type="checkbox"/> <input type="checkbox"/> <input type="checkbox"/> <input type="checkbox"/> <input type="checkbox"/> <input type="checkbox"/> BT00. -40°C
	1. Ø6x10mm	1. None	1. A \ddot{A} +B \ddot{B} +0 $\ddot{0}$ 2. A \ddot{A} +B \ddot{B} 3. A+B	1. Axial cable 2. Radial cable 3. Axial 90.9512 4. Radial 90.9512 5. Axial 90.9508 6. Radial 90.9508	0. 11...30V / NPN Open collector 11...30V 1. 11...30V / Line driver differential Push-Pull 11...30V 2. 5V / RS422 5V (compatible TTL) 6. 11...30V / RS422 5V (compatible TTL)		

(*) 10.000 to 50.000 pulses with interpolation. Available 10.000 direct optical pulses without interpolating upon request.



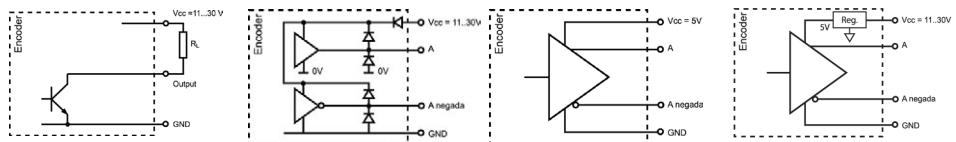
SERIE 58

HIGH RESOLUTION INCREMENTAL SOLID SHAFT ENCODER FOR INDUSTRIAL APPLICATIONS

MECHANICAL SPECIFICATIONS

Materials	Cover: Aluminium Housing: Aluminium Shaft: Stainless Steel
Bearings	Ballraces
Bearings lifetime	1x10 ¹⁰ rev.
Maximum number of revolutions permitted mechanically	6000 rpm
Protection against dust and splashes according to DIN EN 60529	IP65
Rotor inertia moment	30 gcm ²
Starting torque at 20°C (68°F)	Max. 2,0 Ncm
Maximum load permitted on axial shaft	40 N
Maximum load permitted on radial shaft	60 N
Weight approx.	0,5 Kg
Operating temperature range	-20°C a +80°C - Standard -40°C a +80°C - Special Customer BT
Vibration	100 m/s ² (10Hz...2000Hz)
Shock	1000 m/s ² (6ms)
Maximum pulses per turn	50.000
Axial or radial connection	Cable 2 meters or industrial connector (other cable lenght available on order) Female connector included

OUTPUT SIGNALS



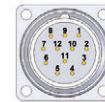
OUTPUT CIRCUIT	NPN Open Collector	Push-Pull Differential	RS422 (TTL compatible)	RS422 (TTL compatible)
Reference code	0	1	2	6
Power supply	11...30 V	11...30 V	5 V ±5%	11...30 V
Output voltage	11...30 V	11...30 V	5 V	5 V
Consumption	40 mA	Typical: 45 mA Max: 150 mA	Typical: 70 mA Max: 150 mA	Typical: 80 mA Max: 160 mA
Max. load capability	40 mA	±30 mA	±20 mA	±20 mA
Lenght of cable allowed	50 m (a 24 V)	100 m	1200 m	1200 m
"Low" signal level	VOL < 0,4 V (a 24 V)	VOL < 2.5 V	VOL < 0,5 V	VOL < 0,5 V
"High" signal level	VOH > 22 V (a 24 V)	VOH > Vcc - 3 V	VOH > 2.5 V	VOH > 2.5 V
Frequency	100 kHz	200 kHz	300 kHz	300 kHz
Short circuit protection	Not permanent	Yes	Yes	Yes
Protection polarity inversion	Yes	Yes	No	Yes

Channel B leads (90° electric) channel A

SERIE 58

HIGH RESOLUTION INCREMENTAL SOLID SHAFT ENCODER FOR INDUSTRIAL APPLICATIONS

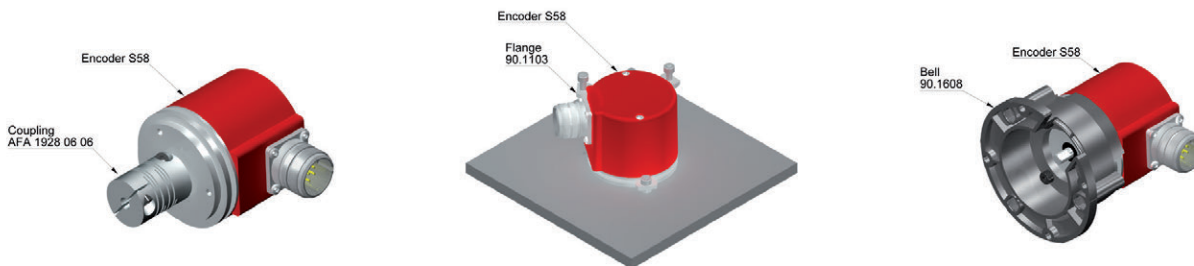
CONNECTION



	Cable 2x2x0,14+1x0,14	(* Cable 3x2x0,14+2x0,34	90.9508 M12 8p ccw	90.9512 M23 12p cw
GND	Yellow	Black	1	1
Vcc	White	Red	2	2
A	Brown	Yellow	3	3
B	Green	Green	4	4
A inverted		Brown	5	5
B inverted		Blue	6	6
0 (reference)	Grey	Grey	7	7
0 inverted	Grey	Orange	8	8

(* Cable 3x2x0,14+2x0,34 only for encoders with inverted signals.

ACCESSORIES EXAMPLES



All the accessories available in the sections "ELECTRONIC MODULES AND COUNTERS" and "MOUNTING ACCESSORIES".

CONNECTION DIMENSIONS

Female connector included

Connection 3

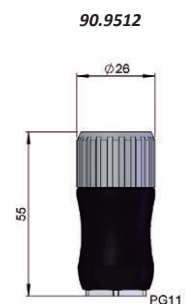
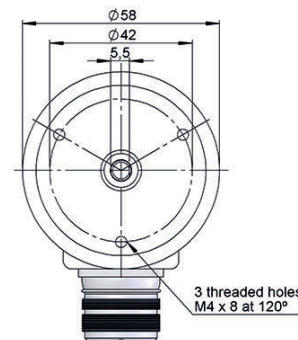
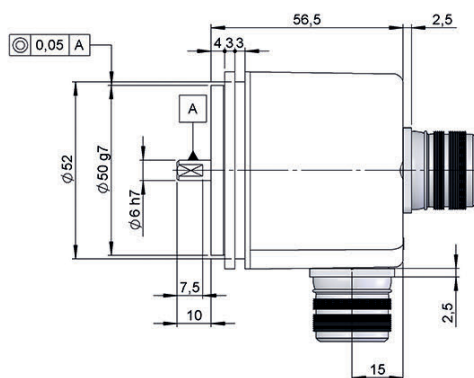
Axial 90.9512

Connection 4

Radial 90.9512

90.9512

M23 12p
male panel
clockwise



SERIE 58

HIGH RESOLUTION INCREMENTAL SOLID SHAFT ENCODER FOR INDUSTRIAL APPLICATIONS

Connection 5

Axial 90.9508

Connection 6

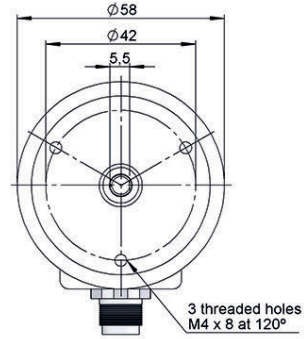
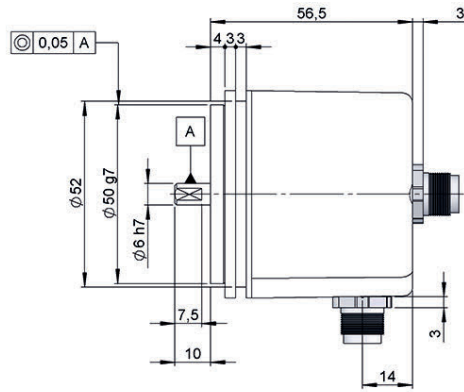
Radial 90.9508

90.9508

M12 8p

male panel

counter clockwise



90.9508

