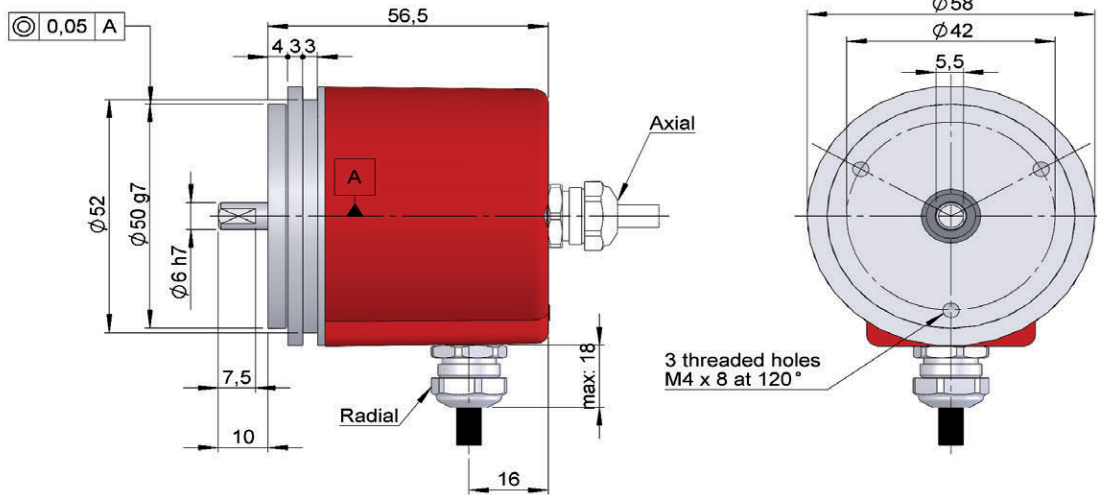
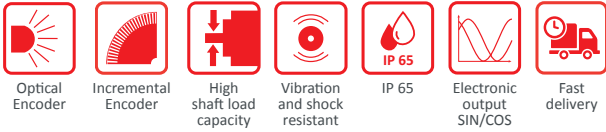




# SERIE 58S SIN/COS

## INCREMENTAL SOLID SHAFT ENCODER FOR INDUSTRIAL APPLICATIONS

- Resolution 2048 pulses per turn
- External diameter 58 mm
- Shaft 6 mm
- Synchro flange
- Protection class IP65 according to DIN EN 60529
- Connection by cable (any cable length available) or industrial connector
- Female connector included



Drawing shaft type 1, connection type 1/2, without flange

### REFERENCE

Reference example: 58S-11117-2048

Serie	Shaft	Flange	Output signals	Connection	Power Supply / Electronic outp.	Pulses number	Special customer
58S -	<input type="checkbox"/>	<input type="checkbox"/>	<input type="checkbox"/>	<input type="checkbox"/>	<input type="checkbox"/> -	<input type="text" value="2"/> <input type="text" value="0"/> <input type="text" value="4"/> <input type="text" value="8"/>	<input type="checkbox"/> <input type="checkbox"/> <input type="checkbox"/> <input type="checkbox"/>
	1. $\varnothing 6 \times 10 \text{ mm}$	1. None	1. $A\ddot{A}+B\ddot{B}+0\ddot{0}$ 2. $A\ddot{A}+B\ddot{B}$	1. Axial cable 2. Radial cable 3. Axial 90.9512 4. Radial 90.9512 5. Axial 90.9508 6. Radial 90.9508	7. 5V / SIN-COS 1Vpp 5V		



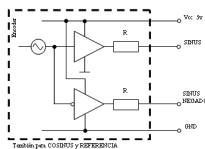
# SERIE 58S SIN/COS

## INCREMENTAL SOLID SHAFT ENCODER FOR INDUSTRIAL APPLICATIONS

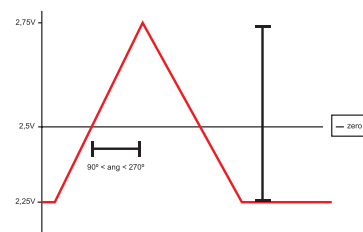
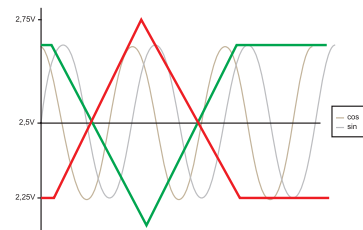
### MECHANICAL SPECIFICATIONS

Materials	Cover: Aluminium Housing: Aluminium Shaft: Stainless Steel
Bearings	Ballraces
Bearings lifetime	1x10 <sup>10</sup> rev.
Maximum number of revolutions permitted mechanically	6000 rpm
Protection against dust and splashes according to DIN EN 60529	IP65
Rotor inertia moment	30 gcm <sup>2</sup>
Starting torque at 20°C (68°F)	Max. 2,0 Ncm
Maximum load permitted on axial shaft	40 N
Maximum load permitted on radial shaft	60 N
Weight approx.	0,5 Kg
Operating temperature range	-20°C a +80°C
Vibration	100 m/s <sup>2</sup> (10Hz...2000Hz)
Shock	1000 m/s <sup>2</sup> (6ms)
Number of pulses per turn	2048 pulses
Axial or radial connection	Cable 2 meters or industrial connector (other cable lenght available on order) <b>Female connector included</b>

### OUTPUT SIGNALS



<b>OUTPUT CIRCUIT</b>	<b>Sine-wave</b>
Reference code	7
Power supply	5 V ±5%
Output voltage	5 V
Consumption	Typical: 80 mA Max: 150 mA
Max. signal delay	90° Eléctricos
Lenght of cable allowed	50 m
Signal type	Sin/Cos
Output signal level	0.6 a 1.2 Vpp
Reference	0.2 a 1 V
Frequency	200 kHz
Protection polarity inversion	No
Cosine leads (90° electric) Sine	



# SERIE 58S SIN/COS

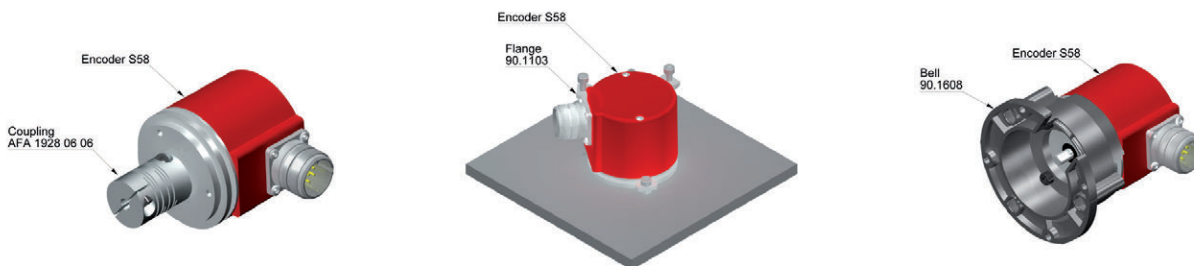
## INCREMENTAL SOLID SHAFT ENCODER FOR INDUSTRIAL APPLICATIONS

### CONNECTION



	Cable 3x2x0,14+2x0,34	90.9508 M12 8p CCW	90.9512 M23 12p CW
GND	Black	1	1
Vcc	Red	2	2
COS	Yellow	3	3
SIN	Green	4	4
COS inverted	Brown	5	5
SIN inverted	Blue	6	6
0 (reference)	Grey	7	7
0 inverted	Orange	8	8

### ACCESSORIES EXAMPLES



All the accessories available in the sections "ELECTRONIC MODULES AND COUNTERS" and "MOUNTING ACCESSORIES".

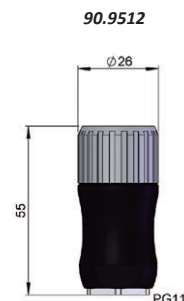
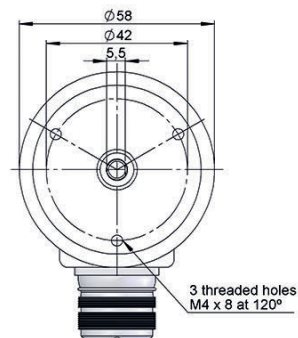
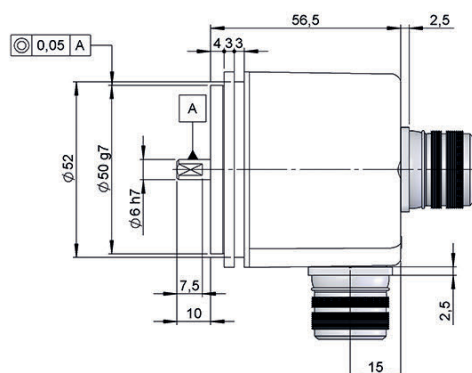
### CONNECTION DIMENSIONS

Female connector included

**Connection 3**  
Axial 90.9512

**Connection 4**  
Radial 90.9512

**90.9512**  
M23 12p  
male panel  
clockwise



# SERIE 58S SIN/COS

## INCREMENTAL SOLID SHAFT ENCODER FOR INDUSTRIAL APPLICATIONS

### Connection 5

Axial 90.9508

### Connection 6

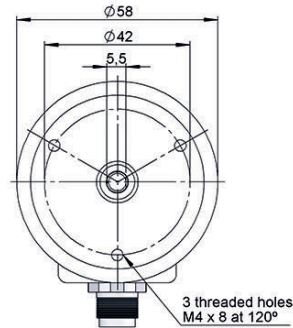
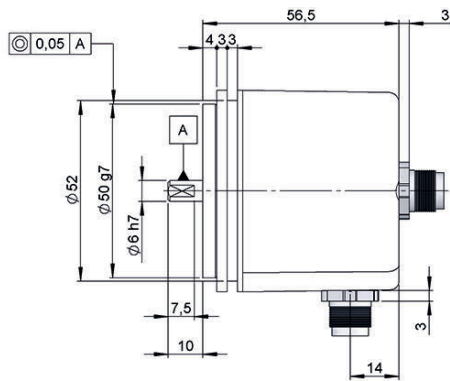
Radial 90.9508

### 90.9508

M12 8p

male panel

counter clockwise



### 90.9508

