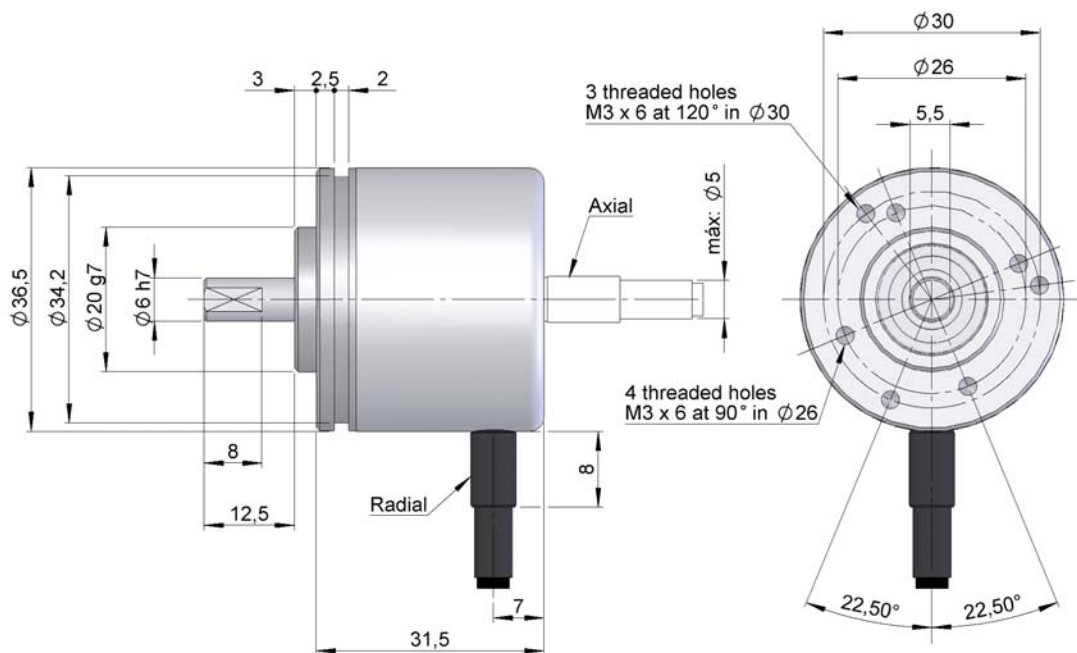


SERIE 36

INCREMENTAL SOLID SHAFT ENCODER FOR INDUSTRIAL APPLICATIONS

- Resolution up to 3600 pulses per turn
- External diameter 36,5 mm
- Shaft 6 mm
- Protection class IP64 according to DIN 40050
- Excellent flange flexibility and various configurations
- Special mechanical, electronic and optical available on order
- Connection by cable (any cable length available) or air industrial connector



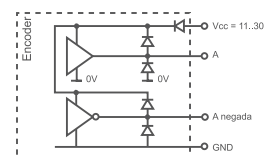
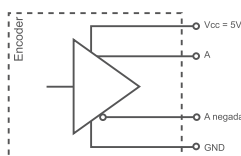
Previous mounting and installation of the encoder is recommended to read the section "TECHNICAL CONSIDERATIONS".

MECHANICAL SPECIFICATIONS

| | |
|---|--|
| Housing | Aluminium. |
| Shaft | Stainless Steel. |
| Bearings | Ballraces. |
| Bearings lifetime | 1x10 ¹⁰ rev. |
| Maximum number of revolutions permitted mechanically | 6000 rpm. |
| Protection against dust and splashes according to DIN 40050 | IP64. |
| Rotor inertia moment | 30 gcm ² . |
| Starting torque at 20°C (68°F) , | Max. / 0,5 Ncm. |
| Maximum load permitted on axial shaft | 20 N. |
| Maximum load permitted on radial shaft | 40 N. |
| Weight aprox. | 0,08 Kg. |
| Operating temperature range | -20°C to +80°C. |
| Vibration | 100 m/s ² (10Hz...2000Hz). |
| Shock | 1000 m/s ² (6ms). |
| Maximum pulses per turn | 3600. |
| Axial or radial connection | Cable 2 metres (other cable length available on order) |

ELECTRICAL SPECIFICATIONS

OUTPUT SIGNALS



| | RS422 (TTL compatible) | Push-Pull Differential |
|--|-----------------------------------|-------------------------------|
| Power supply | 5 V \pm 5% | 11...30 V |
| Consumption | Typical: 70 mA Max: 150 mA | Typical: 45 mA Max: 150 mA |
| Max. load capability | \pm 20 mA | \pm 30 mA |
| Length of cable allowed | 1200 m | 100 m |
| "Low" signal level | $V_{OL} < 0,5 V$ | $V_{OL} < 2,5 V$ |
| "High" signal level | $V_{OH} > 2,5 V$ | $V_{OH} > V_{cc} - 3 V$ |
| Frequency | 300 kHz | 200 kHz |
| Short circuit protection | Yes | Yes |
| Protection against polarity inversion | No | Yes |
| Channel A leads (90° electric) channel B | | |

CONNECTION

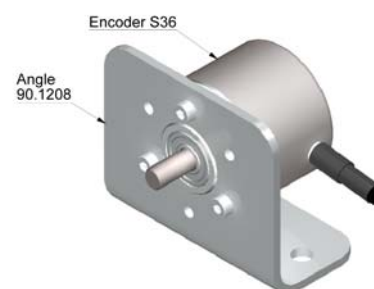
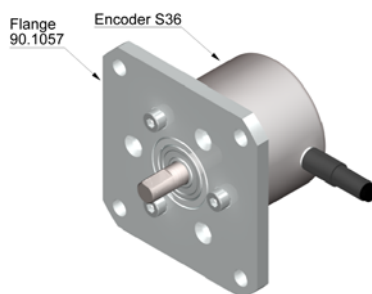


| | Cable 5x0,14 | Cable 8x0,14 |
|---------------|---------------------|---------------------|
| GND | White | White |
| Vcc | Brown | Brown |
| A | Green | Green |
| B | Yellow | Grey |
| A inverted | | Yellow |
| B inverted | | Pink |
| 0 (reference) | Grey | Blue |
| 0 inverted | Grey | Red |

ORDERING CODE

| SERIE | FIXATION | OUTPUT SIGNALS | CONNECTION | ELECTRONIC OUTPUT | PULSES NUMBER | SPECIAL CUSTOMER |
|-------|------------------|--------------------------------------|--|--|---------------|------------------|
| 36 | ● 1- Clamping | ● 3- A + B + 0 7- AA + BB + 00 | ● 1- Axial cable 2- Radial cable | ● 1- Differential line driver. Push-Pull 11..30V 2- Standard RS422. 5V. Compatible TTL | ●●●●●●●● | ●●●●●●●● |

ACCESSORIES



All the accessories available in the sections "SIGNAL CONDITIONERS" and "MOUNTING ACCESSORIES".