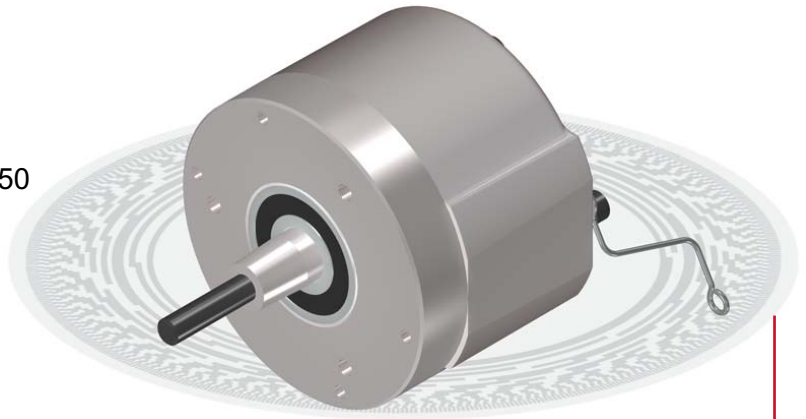


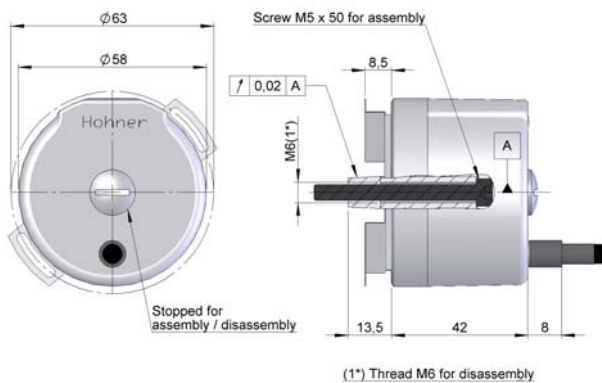
# SERIE 64 SIN/COS

## CONIC SHAFT INCREMENTAL ENCODER FOR INDUSTRIAL APPLICATIONS

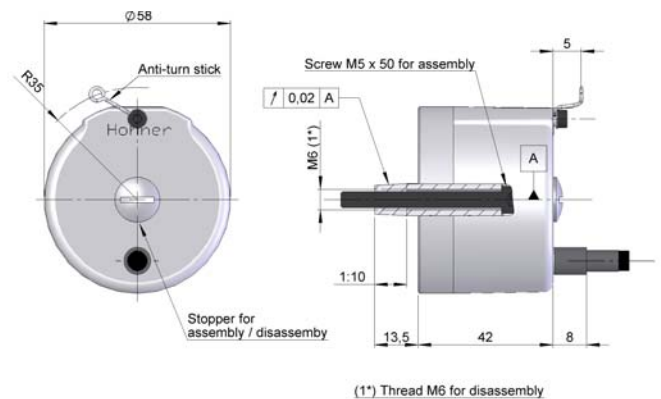
- Available 1024 and 2048 pulses
- External diameter 58 mm
- Conic shaft 1:10
- Protection class IP54 according to DIN 40050
- Connection by cable (any cable length available) or industrial connector



### Antirotation for elastic flange



### Antirotation bar



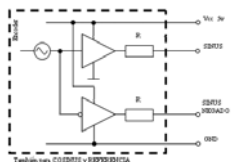
Previous mounting and installation of the encoder is recommended to read the section "TECHNICAL CONSIDERATIONS".

## MECHANICAL SPECIFICATIONS

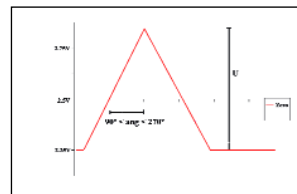
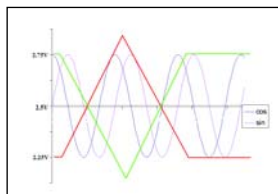
Housing	Aluminium.
Shaft	Stainless Steel.
Bearings	Ballraces.
Bearings lifetime	1x10 <sup>10</sup> rev.
Maximum number of revolutions permitted mechanically	6000 rpm.
Protection against dust and splashes according to DIN 40050	IP54.
Rotor inertia moment	30 gcm <sup>2</sup> .
Starting torque at 20°C (68°F) ,	Max. / 2,0 Ncm.
Maximum load permitted on axial shaft	40 N.
Maximum load permitted on radial shaft	60 N.
Weight aprox.	0,5 Kg.
Operating temperature range	-20°C to +80°C.
Vibration	100 m/s <sup>2</sup> (10Hz...2000Hz).
Shock	1000 m/s <sup>2</sup> (6ms).
Pulses number available	1024 and 2048.
Axial connection	Cable 2 metres.

## ELECTRICAL SPECIFICATIONS

### OUTPUT SIGNALS



	Sine-Wave
Power supply	5 V ±5%
Consumption	Typical: 80 mA Max: 150 mA
Max. load capability	90° Electrics
Length of cable allowed	50 m
Signal type	Sin/Cos
Output signal level	0.6 a 1.2 Vpp
Reference	0.2 a 1 V
Frequency	200 kHz
Protection against polarity inversion	No



### CONNECTION



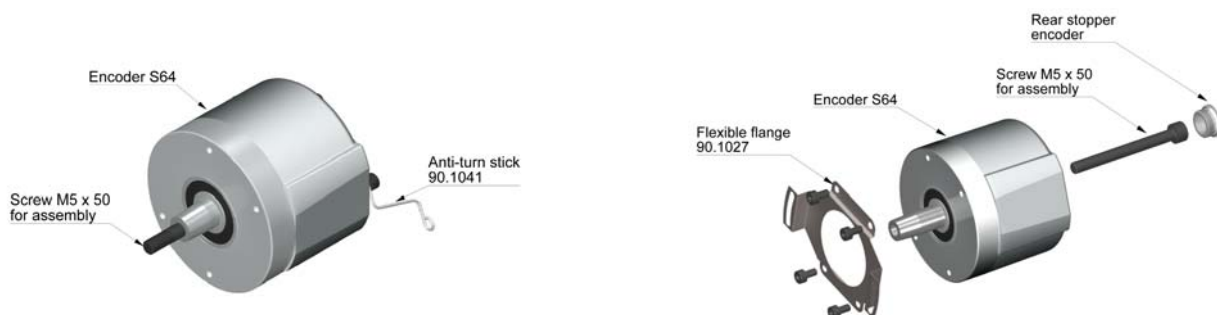
Cable 3x2x0,14+2x0,34

GND	Black
Vcc	Red
A	Yellow
B	Green
A inverted	Brown
B inverted	Blue
0 (reference)	Grey
0 inverted	Orange

## ORDERING CODE

SERIE	SHAFT	ANTIROTATION SYSTEM	OUTPUT SIGNALS	CONNECTION	ELECTRONIC OUTPUT	PULSES NUMBER	SPECIAL CUSTOMER
64S	● 1- Conic 1:10	● ↓ 1- Elastic flange 90.1027 2- Antirotation bar 90.1041 3- None	● 1- A $\tilde{A}$ + B $\tilde{B}$ + 0 $\tilde{0}$ 2- A $\tilde{A}$ + B $\tilde{B}$	● 1- Axial cable	● 7- SIN/COS 1Vpp 5V.	● ● ● ● ● ● ●	● ● ● ● ●

## ACCESSORIES



All the accessories available in the sections "SIGNAL CONDITIONERS" and "MOUNTING ACCESSORIES".