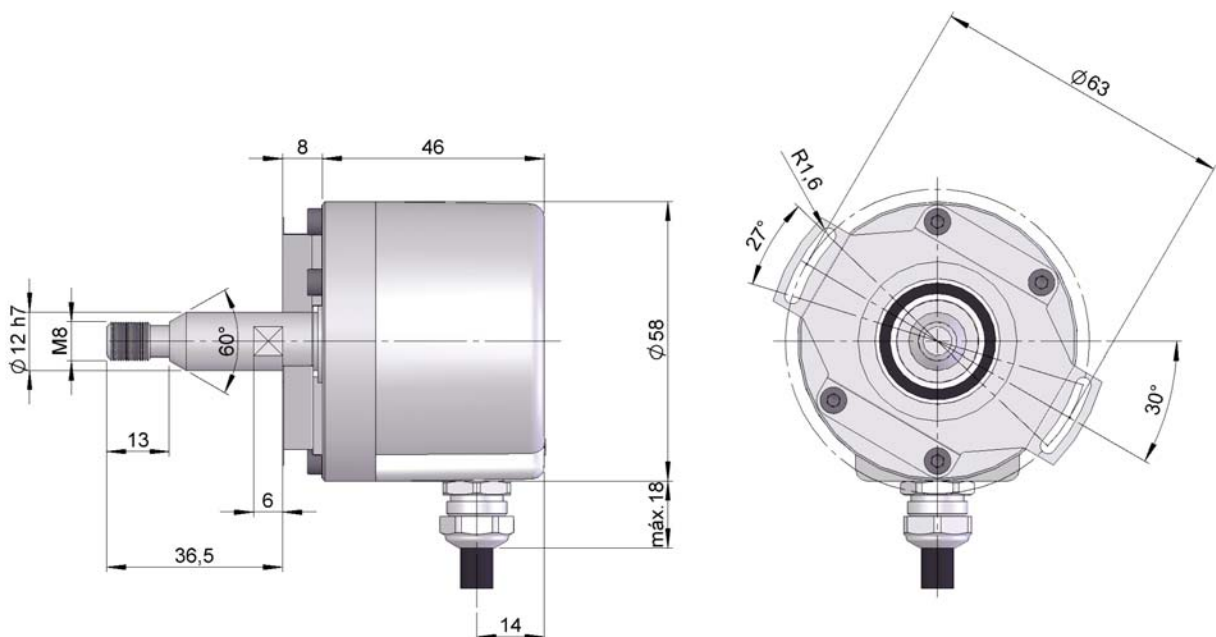


# SERIE 66

## THREAD SHAFT INCREMENTAL ENCODER FOR INDUSTRIAL APPLICATIONS

- Any number of pulses available from 1 to 10.000 pulses
- External diameter 58 mm
- Thread shaft M8
- Protection class IP64 according DIN 40050
- Connection by cable (any cable length available) or industrial connector



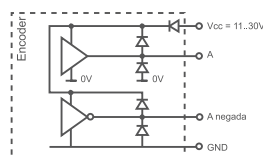
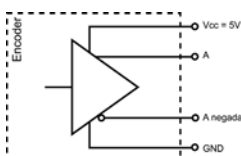
Previous mounting and installation of the encoder is recommended to read the section "TECHNICAL CONSIDERATIONS".

### MECHANICAL SPECIFICATIONS

Housing	Aluminium.
Shaft	Stainless Steel.
Bearings	Ballraces.
Bearings lifetime	1x10 <sup>10</sup> rev.
Maximum number of revolutions permitted mechanically	6000 rpm.
Protection against dust and splashes according to DIN 40050	IP64.
Rotor inertia moment	30 gcm <sup>2</sup> .
Starting torque at 20°C (68°F) ,	Max. / 2,0 Ncm.
Maximum load permitted on axial shaft	40 N.
Maximum load permitted on radial shaft	60 N.
Weight aprox.	0,5 Kg.
Operating temperature range	-20°C to +80°C.
Vibration	100 m/s <sup>2</sup> (10Hz...2000Hz).
Shock	1000 m/s <sup>2</sup> (6ms).
Maximum pulses per turn	10.000.
Axial or radial connection	Cable 2 metres or industrial connector (other cable lengths available on order).

## ELECTRICAL SPECIFICATIONS

### OUTPUT SIGNALS



	<b>RS422 (TTL compatible)</b>	<b>Push-Pull Differential</b>
Power supply	5 V ±5%	11...30 V
Consumption	Tipico: 70 mA Max: 150 mA	Tipico: 45 mA Max: 150 mA
Max. load capability	±20 mA	±30 mA
Length of cable allowed	1200 m	100 m
"Low" signal level	$V_{OL} < 0,5 V$	$V_{OL} < 2.5 V$
"High" signal level	$V_{OH} > 2.5 V$	$V_{OH} > V_{cc} - 3 V$
Frequency	300 kHz	200 kHz
Short circuit protection	Yes	Yes
Protection against polarity inversion	No	Yes
Channel B leads (90° electric) channel A		

### CONNECTION

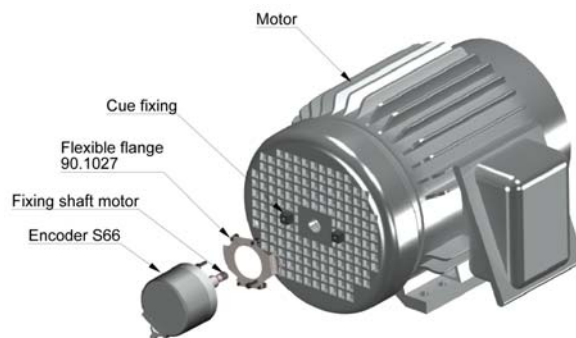
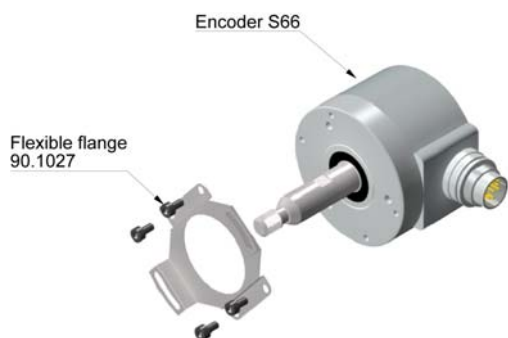


	<b>Cable 6x2x0,14+2x0,34</b>	<b>90.9513 M16 12p</b>
<b>GND</b>	Black	K - L
<b>Vcc</b>	Red	B - M
<b>A</b>	Yellow	E
<b>B</b>	Green	H
<b>A inverted</b>	Brown	F
<b>B inverted</b>	Blue	A
<b>0 (reference)</b>	Grey	C
<b>0 inverted</b>	Orange	D

## ORDERING CODE

SERIE	SHAFT	ANTIROTATION SYSTEM	OUTPUT SIGNALS	CONNECTION	ELECTRONIC OUTPUT	PULSES NUMBER	SPECIAL CUSTOMER
66	● 1- Thread M8	● ↓ 1- Elastic flange 90.1027 2- Antirotation bar 90.1041 3- Without antirotation system	● 1- A $\bar{A}$ + B $\bar{B}$ + 0 $\bar{0}$ 2- AA + BB	● 1- Radial cable 2- Radial 90.9513	● 1- Differential line driver. Push-Pull 11..30V 2- Standard RS422. 5V. Compatible TTL	●●●●●●●●	●●●●●●●●

## ACCESSORIES



All the accessories available in the sections "SIGNAL CONDITIONERS" and "MOUNTING ACCESSORIES".