

# SRP-77

- ▣ process meter with 2 displays
- ▣ input 0/4-20 mA, 0/1-5V, 0/2-10V
- ▣ 0, 1 or 2 relay outputs (or OC type)
- ▣ power supply output: 24V DC
- ▣ RS-485 / Modbus RTU

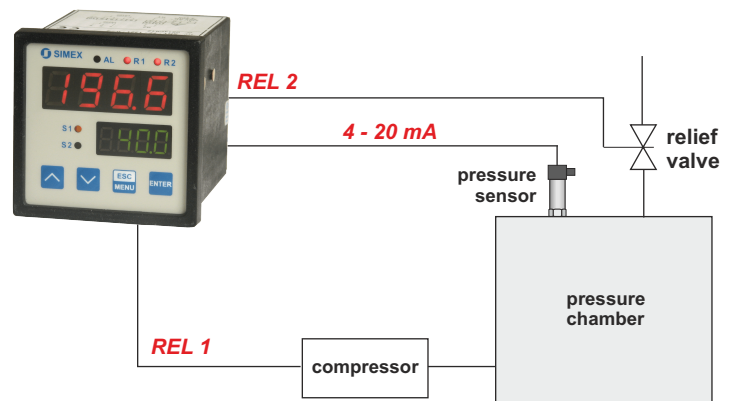


The main advantages of regulator **SRP-77** are two rows of display. The first one presents measuring value, second one - programmed values: max. and min. 1 or 2 relay (or OC) outputs make it possible to control processes ON/OFF type. Current input has protection safeguarding of the measuring resistor against damage. The device is dedicated to applications, where there is necessity of continuous control of the threshold values. The RS-485 enables data transmission in production process monitoring systems.

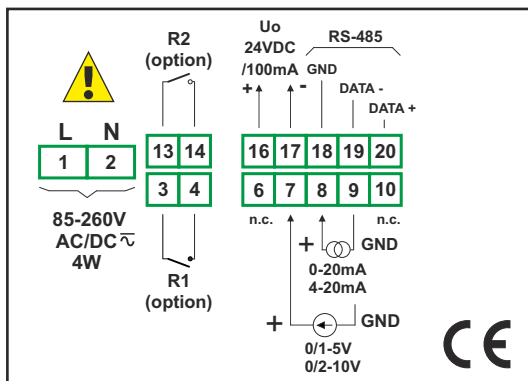
- programmable measuring range,
- programmable hystereses and delays of control outputs,
- password protected,
- programmable indication filtration,
- overload-protected current input,
- versions available with AC and DC power supply.

## Typical applications

1. Measuring of pressure in a chamber with operating of the compressor according to set parameters and operating of relief valve, easy control of a threshold value.



## Exemplary pin assignment



## Ordering

**SRP-77-18XX-1-X-XX1**

**options:**  
**00** : no options  
**01** : IP 65  
**08** : operating temp. -20°C ÷ +50°C

**power supply:**  
**3** : 24V AC/DC  
**4** : 85V - 260V AC/DC

**type of outputs:**  
**0** : no output  
**1** : REL  
**2** : OC

**number of outputs:**  
**0**  
**1**  
**2**

## Technical data

**Power supply:** 19V ÷ 50V DC; 16V ÷ 35V AC or 85 ÷ 260V AC/DC, all separated  
**Power consumption:** for 85 ÷ 260V AC/DC and 16V ÷ 35V AC power supply: max. 4,5 VA; 19V ÷ 50V DC power supply: max. 4,5 W  
**Display:** LED, double 4 x 13 mm (red) and 4 x 10 mm (green)  
**Input:** current 0-20 mA or 4-20 mA, programmable, input resistance < 65 Ω (typ. 55 Ω), overload-protected, input current limited to 40 mA; voltage 0-5 V, 1-5V, 0-10V or 2-10V, programmable, input resistance > 50 kΩ  
**Displayed values range:** -999 - 9999 + decimal point  
**Accuracy:** 0.1% @25°C  
**Stability:** 50 ppm/°C  
**Outputs:** 0, 1 or 2 relays 1A/250V AC (cosφ=1) or the OC 30mA/30VDC/100mW  
**Transducer power supply output:** 24V DC ±5%, -10% / max. 100 mA, stabilized, not insulated from measuring inputs  
**Communication interface:** RS-485, 8N1 and 8N2, 1200 bit/s ÷ 115200 bit/s, Modbus RTU (not galvanically insulated from measuring inputs)  
**Operating temperature:** 0°C ÷ +50°C (standard), -20°C ÷ +50°C (option)  
**Storage temperature:** -10°C ÷ +70°C (standard), -20°C ÷ +70°C (with option **08**)  
**Protection class:** IP 65 (front), available additional frame IP 65 for panel cut-out sealing; IP 20 (case and connection clips)  
**Case:** board  
**Case material:** NORYL - GFN2S E1  
**Case dimensions:** 72 x 72 x 100 mm  
**Panel cut-out dimensions:** 66,5 x 66,5 mm  
**Installation depth:** min. 102 mm  
**Board thickness:** max. 5 mm

## Accessories

**STD-77**  
 Transparent door with moulded frame acc. to DIN 43700, lockable with security key.



Door and frame are made by injection moulding thus assuring an exact fit, an optimal choice of a material which is very strong and with no risk of corrosion; perfect seal-protective system IP 54 provided by all-round soft rubber sealing the moulding; door does not swing in or out sideways on opening; door-frame and front-frame can be exchanged.