

SWE-73-T

- ▣ low-cost meter in a small case
- ▣ input Pt100, Pt500, Pt1000
- ▣ RS-485 / Modbus RTU
- ▣ IR remote controller as accessory

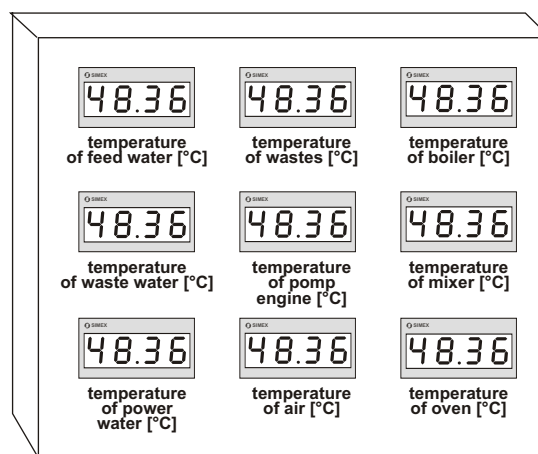


The **SWE-73** efficiency indicators are low-cost and affordable panel-mounted digital indicators. They are available in three versions: temperature (-T), current/voltage (-A, description on pages 1.2.1) and without analog input, only with serial input (-S, description on page 1.4.1). The 16-bit A/D converters used in them ensure very high stability and measurement precision. Parameters can be programmed freely through an infrared link or through the RS-485 interface, built-in as a standard. Configuration of the device can also be programmed to the customer's order. The RS-485 interface makes it easy to set up measurement networks in production process monitoring systems, and also to use the indicators as smart, programmable, digital converters of input signals for computer systems. An additional advantage of the device is that its dimensions are small and it can be easily mounted.

- measuring range from -100°C to 600°C with resolution 0,1°C,
- all parameters are freely programmable from the PC or remote control (e.g. indication filtering range),
- display brightness adjustable in 8 steps,
- automatic recognition of 2, 3 and 4-conductor connection.

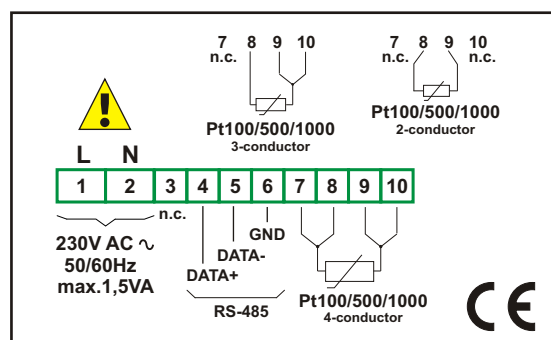
Typical applications

1. Indication of current values of any parameters,
2. Application wherever there is a need for a quick view of many parameters, i.e. in a synoptic system.



Synoptic system

Exemplary pin assignment



Ordering

SWE-73-T-X-XX1

- options:**
- 00 : no options
 - 01 : IP 65
 - 08 : operating temp. -20°C ÷ +50°C

- power supply:**
- 1 : 24V DC
 - 2 : 230V AC
 - 8 : 110V AC

Technical data

Power supply: 110V AC ± 10% separated, 230V AC ± 10% separated or 24V DC (10V + 30V DC) not separated from measurement input
Power consumption: for 110V AC and 230V AC: max. 1,5 VA; for 24V DC: max. 1 W
Display: LED, red, 4 x 13 mm high
Input: temperature Pt100, Pt500, Pt1000, automatic recognition of 2, 3 and 4-conductor connection
Measuring range: -100°C + 600°C
Accuracy: 0.1% @25°C
Stability: 50 ppm/°C
Resolution: 0,1°C
Communication interface: RS-485, 1200 ÷ 115200 bit/s, 8N1, Modbus RTU, not galvanically insulated
Operating temperature: 0°C + +50°C (standard), -20°C + +50°C (option)
Storage temperature: -10°C + +70°C (standard), -20°C + +70°C (with option 08)
Protection class: IP 40 (front side); IP 65 (front side when an optional seal is installed); IP 20 (case and connection clips)
Case: board
Case material: NORYL UL94V-0
Case dimensions: for 24V DC: 72 x 36 x 77 mm; for 230V AC: 72 x 36 x 94 mm
Panel cut-out dimensions: 67 x 32,5 mm
Installation depth: for version 24V DC: min. 78 mm; for 230V AC: min. 95 mm
Board thickness: max. 5 mm

Accessories



IR remote controller SIR-15