

SZP-73

- ▣ current test set
- ▣ passive output 4-20 mA
- ▣ power supply output 24V DC
- ▣ two-coloured LED display
- ▣ RS-485 / Modbus RTU

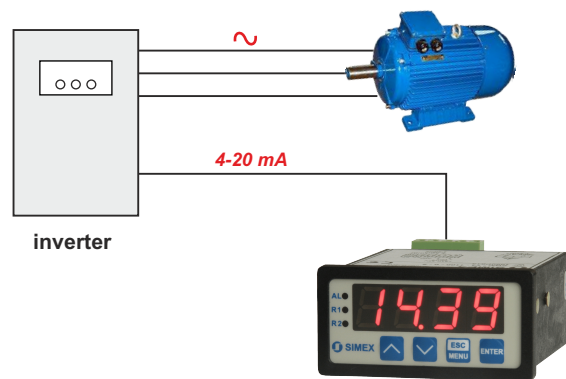
The **SZP-73** current test sets allow for generating user-defined current (in the 4-20 mA range). The display shows the value automatically converted according to set indication range (max. from -999 to 9999 with programmable decimal point). Preview (and adjustment) into the current value of 4.00 do 20.00 mA is possible at any moment. In instrumentation and control systems, these devices can replace any analogue (potentiometer-based) process value sets in a two-wire 4-20 mA current system.

- galvanic separation of the current input,
- changing the current values by "▲" and "▼" keys,
- password protection,
- available with AC and DC power supply versions.

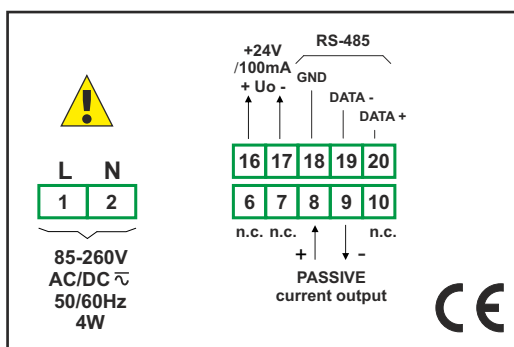


Typical applications

1. Controlling the motor speed by an inverter.
2. Controlling the opening angle of valves, dampers, etc.



Exemplary pin assignment



Technical data

Power supply: 19V + 50V DC; 16V + 35VAC or 85 + 260VAC/DC, all separated
Power consumption: for 85 + 260V AC/DC and 16V + 35V AC power supply: max. 4,5 VA; 19V + 50V DC power supply: max. 4,5 W

Display: LED, two-coloured (red-green), 4 x 13 mm (IP 40) - standard or LED, red, 5 x 9 mm (IP 65) - option

Displayed values range: -999 + 9999 plus decimal point

Outputs:

- current: 4-20 mA (passive), isolated
- transducer power supply: 24V DC +5%, -10% / max. 100 mA, stabilized, not insulated from RS-485 interface

Output power supply: min. 6,5 V

Accuracy: 0.1% @25°C

Stability: typical 50 ppm / °C

Communication interface: RS-485, 8N1 and 8N2, 1200 bit/s + 115200 bit/s, Modbus RTU (not galvanically insulated from transducer power supply)

Operating temperature: 0°C + +50°C (standard), -20°C + +50°C (option)

Storage temperature: -10°C + +70°C (standard), -20°C + +70°C (with option 08)

Protection class (depending on display size):

5 x 9 mm display: IP 65 (front), available additional IP 65 frame for panel cut-out sealing; IP 20 (case and connection clips)

4 x 13 mm display: IP 40 (front); IP 20 (case and connection clips)

Case: board

Case material: NORYL - GFN2S E1

Case dimensions: 72 x 36 x 97 mm

Panel cut-out dimensions: 66,5 x 32,5 mm

Installation depth: min. 102 mm

Board thickness: max. 5 mm

Ordering

SZP-73-0015-1-X-XX1

options:

00 : no options

01 : IP 65 frame

08 : operating temp.
-20°C + +50°C

power supply:

3 : 24V AC/DC

4 : 85V - 260V AC/DC