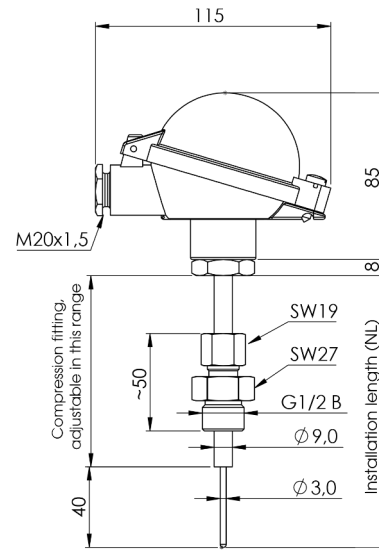


# Safety Thermocouple Sensor TC293



## Dimensions



## Characteristics

- Fast response sensor for measurement in exhaust gas and air
- Certified as Sensor for Safety Temperature Limiters STL50 for gaseous media acc. to SIL 2 (DIN EN 61508) and DIN EN 14597 (substitute DIN 3440)
- Ex certified to ATEX Ex-ia
- Sensor with 2 x thermocouples J, K or N, isolated
- Max. operating temperature depends to the thermocouple
- Process pressure 25 bar
- Protection tube D = 9/3 mm, Inconel 600 W-No. 2.4816
- Process connection clamp gland G 1/2 B
- Terminal head BSZ (Aluminum) IP65 with snap-lid

## Temperature equalization

The 63.2 % step-response time of temperature variation at the probe tip will be:

**Medium T63.2%**  
Exhaust typical 20 s  
Air typical 22 s

## Ordering code

1. 2. 3. 4. 5. 6. 7. 8.  
 -  -  -  -  -  -  -

<b>1. Type</b>	TC293
<b>2. Variation</b>	00 Standard Ex Ex certified acc. to ATEX Ex-ia IIC T6
<b>3. Double-thermocouple</b>	2J type J (Fe-CuNi) operating temperature -100..+600 °C cable color black(+), white(-) 2K type K (NiCr-Ni) operating temperature -100..+800 °C cable color green(+), white(-) 2N type N (NiCrSi-NiSi) operating temperature -100..+800 °C cable color pink(+), white(-)
<b>4. Protection tube diameter</b>	9/3 9mm to 3mm reduced
<b>5. Installation length NL</b>	100 100 mm 160 160 mm 250 250 mm 400 400 mm 600 600 mm XX custom length
<b>6. Process connection</b>	KV 1/2 B clamping sleeve slide-able 1/2 "
<b>7. Terminal head</b>	BSZ with snap-lid (Aluminum)
<b>8. Max. operating temperature</b>	see thermocouple type

(Custom variation on request)