

Safety Thermocouple Sensor TC296



Characteristics

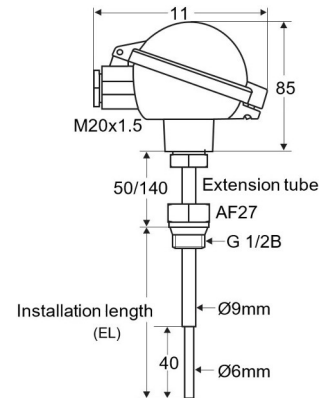
- Fast response sensor for measurement in water, oil and air
- Certified as Sensor for Safety Temperature Limiters STL50 (exhaust gas excluded), acc. to DIN EN 14597 (substitute DIN 3440)
- Ex certified to ATEX Ex-ia
- Sensor with 2 x thermocouples J, K or N, isolated and replaceable
- Max. operating temperature depends to the thermocouple
- Process pressure 40 bar
- Protection tube D = 9/6mm, Inconel 600 W-No. 2.4816
- Process connection G 1/2 B
- Terminal head BSZ (Aluminum) IP65 with snap-lid

Temperature equalization

The 63.2 % step-response time of temperature variation at the probe tip will be:

Medium	T63.2%
Water	typical 20 s
Oil	typical 30 s
Air	typical 85 s

Dimensions



Ordering code

1. 2. 3. 4. 5. 6. 7. 8. 9.
 - - - - - - - - -

1. Type	TC296
2. Variation	00 Standard Ex Ex certified acc. to ATEX Ex-ia IIC T6
3. Double-thermocouple	2J type J (Fe-CuNi) operating temperature -100..+600 °C cable color black(+), white(-) 2K type K (NiCr-Ni) operating temperature -100..+800 °C cable color green(+), white(-) 2N type N (NiCrSi-NiSi) operating temperature -100..+800 °C cable color pink(+), white(-)
4. Protection tube diameter	9/6 9mm to 6mm reduced
5. Neck pipe length	50 50 mm 140 140 mm XX custom neck pipe
6. Installation length (EL)	100 100 mm 160 160 mm 250 250 mm 400 400 mm 600 600 mm XX custom length
7. Process connection	G 1/2 B
8. Terminal head	BSZ with snap-lid (Aluminum)
9. Max. operating temperature	see Thermocouple

(Custom variation on request)