

Safety RTD Sensor TR296



Characteristics

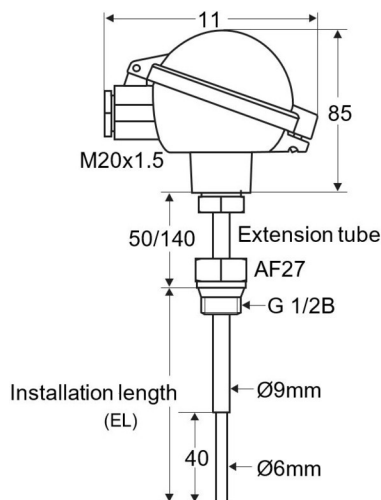
- Fast response sensor for measurement in exhaust gas and air
- Certified as Sensor for Safety Temperature Limiters STL50 for gaseous media acc. to SIL 2 (DIN EN 61508) and DIN EN 14597 (substitute DIN 3440)
- Ex certified to ATEX Ex-ia
- Sensor with 2 x Pt100 class A, 3-wire
- Max. operating temperature -100..+600 °C
- Process pressure 40 bar
- Protection tube D = 9/6mm, stainless steel 1.4571
- Process connection G 1/2 B
- Terminal head BSZ (Aluminum) IP65 with snap-lid

Temperature equalization

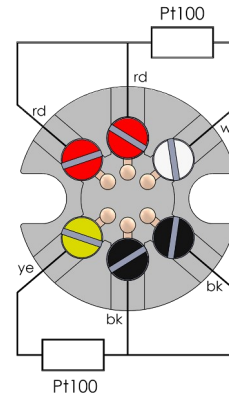
The 63.2 % step-response time of temperature variation at the probe tip will be:

Medium	T63.2%
Water	typical 20 s
Oil	typical 30 s
Air	typical 85 s

Dimensions



Connection diagram



Ordering code

1. - 2. - 3. - 4. - 5. - 6. - 7. - 8. - 9.

| | |
|--------------------------------------|--|
| 1. Type | TR296 |
| 2. Variation | 00 standard
Ex Ex certified acc. to ATEX Ex-ia IIC T6 |
| 3. Measuring elements | 2 2 elements Pt100 class A, 3-wire |
| 4. Protection tube diameter | 9/6 9mm to 6mm reduced |
| 5. Neck pipe length | 50 50 mm
140 140 mm
XX custom neck pipe |
| 6. Installation length (EL) | 100 100 mm
160 160 mm
250 250 mm
400 400 mm
600 600 mm
XX custom length |
| 7. Process connection | G 1/2 B |
| 8. Terminal head | BSZ with snap-lid (Aluminum) |
| 9. Max. operating temperature | 600°C |

(Custom variation on request)