

Product Information

AD-ETH-250

Characteristics

The AD converter **AD-ETH-250** offers synchronous acquisition of fast DC signals. Measurement data are put out via an Ethernet interface by TCP/IP (UDP on request) for visualization and storage by an acquisition software. TCP/IP parameters can be set via a DIP-switch or an RS 232 diagnosis interface.



Technical Data

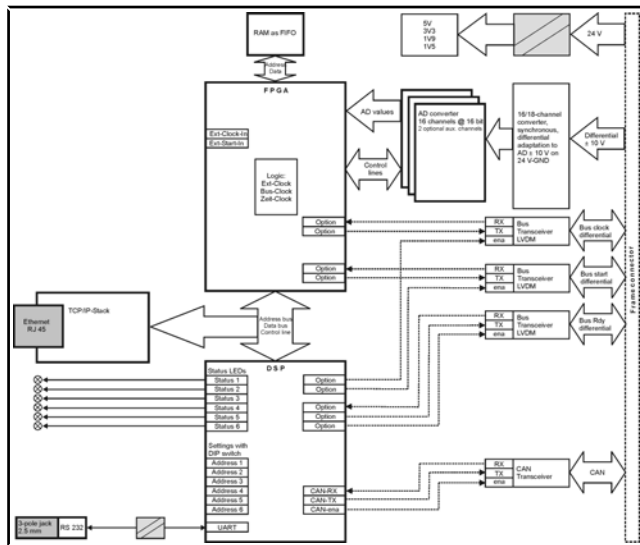
| | |
|---------------------------|--------------------------|
| Channels/unit | 16 |
| AD converter | 16 bit |
| Sample rate | 250 kS/s |
| Total sample rate | 1 MS/s |
| Digital output | Ethernet, (optional CAN) |
| Input protection | ± 50 V permanent |
| DC input | ± 10 V |
| Accuracy | 0.1 % |
| Supply voltage | +24 V / 150 mA, isolated |
| Environmental temperature | 0..+70 °C |

Ordering Code

AD-ETH - 1. - 2. - 3.

| | | |
|--------------------|-----|--|
| 1. Model | 250 | 16 channels DC ± 10 V, 19" plug-in unit, sample rate 250 kS/s p. channel |
| 2. Option 1 | BNC | Box housing with 16 BNC sockets, power supply terminal |
| 3. Option 2 | ICP | 16 channels ICP with sensor supply in place of DC input |

Block Diagram



Dimensions

19" plug-in unit, 3 U height, 5 U width, depth 160 mm