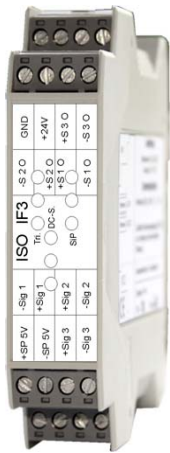
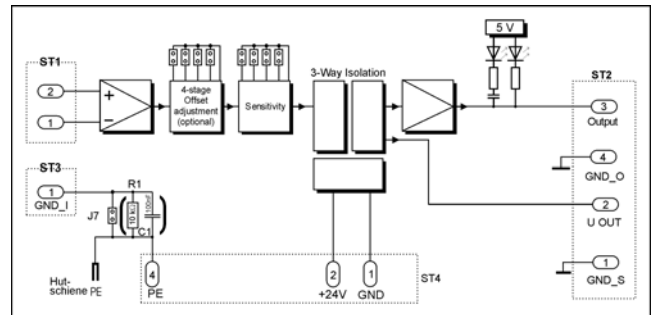


Product Information

TSA-IF



Block Diagram



Dimensions

Housing ME 22.5:
 22.5 x 99 x 114.5 mm (WxHxD)

Ordering Code

TSA-IF 1. - 2.

| | |
|------------------|--|
| 1. Model | |
| 1 | 1 channel |
| 2 | 2 channels |
| 3 | 3 channels |
| 2. Output | |
| 24V | Option open collector only 1- or 2-channel model |

Example: TSA-IF2

Characteristics

The **TSA-IF Module** offers isolated pulse forming of signals from inductive speed indicators, Hall devices, incremental transducers and other pulse generators. Sensor supply (5 V DC) is isolated, provided by the module. It has a TTL output and optionally an Open Collector output. There is a 2-channel and 3-channel version available.

Technical Data

| | |
|--|--|
| Supply voltage | 24 V DC \pm 10 % |
| Power consumption at nominal voltage (without sensor / without load) | 2-channel / 3-channel 70 mA / 135 mA |
| Electrical isolation (3-way isolation) | 1000 V DC |
| Input Frequency (DC) Voltage | 0 ..50 kHz 50 mV _{pp} .. 60 V _{pp} |
| Sensitivity | max. 50 mV |
| Rise delay (max.) | 3 μ s |
| Output Output level Output current (max.) Optional Open Collector (for max. 2 channels) Integrated pull-up R P _{max} Output transistor U _{max} Transistor | TTL 12 mA 24 V 500 Ω / 2 W 300 mW 30 V |
| Isolated supply Output voltage Output current | 5 V DC \pm 10 % 90 mA / 40 mA |
| Environmental temperature | 0..50 °C |