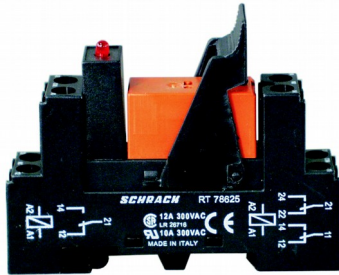


Product Information

Relay Coupler RT424



depth 60 mm

Technical data

- Plug-in relay
- Switching current 8 A / 250 V AC
- Contact material AgNi 90/10
- Safety protection acc. VDE 0106
- Protection class III acc. to VDE 0700
- Test voltage 5 kV
- DIN rail mounting TS35
- International certifications



Ordering code

Storage program

Description	Supply voltage	Ordering number
Relay	24V DC (1440Ω)	RT424024
Relay	24V AC (350Ω)	RT424524
Relay	230 V AC (32500Ω)	RT424730
Socket		RT78625
Retaining clip		RT 16016
Labeling shield		RY 16040
LED-module red*	24 V DC	RPML 0024
LED-module red	24 V AC	RPML0524
LED-module red	230 V AC	RPML 0730

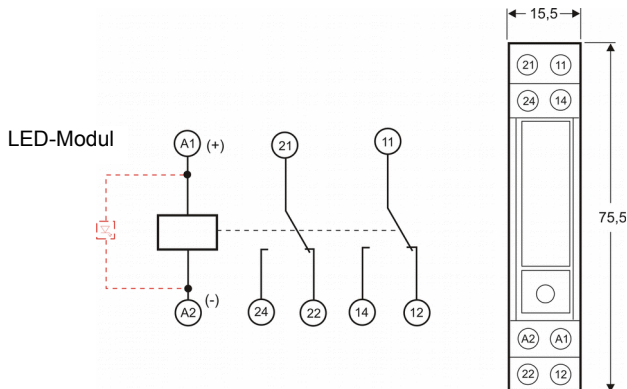
*including inverse diode

Package program

(contains 1 relay, socket, LED-module, retaining clip and labeling shield)

Package 24 V DC		RT4P4L24
Package 24 V AC		RT4P4R24
Package 230 V AC		RT4P4T30

Dimensions / connection diagram



... professional Instruments "MADE IN GERMANY"