

**Product Information**

**1 ~ and 3 ~  
 Solid State Relay**



1 ~ SSR



3 ~ SSR

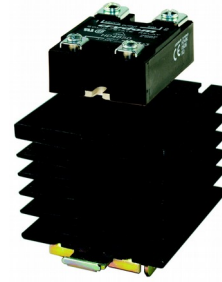
**Characteristics**

- Load circuit from 24V AC up to 530 V AC  
 Current from 25 A up to 125 A
- Zero voltage switch
- 2-port isolation
- Dedicated for loads up to  $\cos\phi$  0.5
- Case isolated
- Test voltage 4 kVeff
- Voltage drop at  $I_{max}$  1.6 V
- UL and CSA certification

**Ordering code / technical data**

Type	Drive circuit [V]	Load circuit [V AC]	Current [A]	Terminal cover
<b>1 ~</b>				
D2425	3-32 DC	24-280	25	KS100
D2450	3-32 DC	24-280	45	KS100
HD4850	3-32 DC	48-530	50	KS100
SC869110	3-32 DC	48-530	125	KS100
<b>3 ~</b>				
D53TP50D	3-32 DC	48-530	50	KS300
<b>Accessories</b>				
KS100	Terminal cover acc. to German BGV A3			
KS300	Terminal cover acc. to German BGV A3			

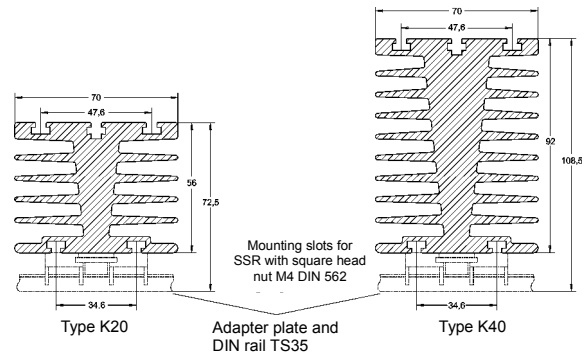
**Heat sink K20, K40**



**Characteristics**

- Aluminum heat sink
- DIN rail mounting TS35
- Mounting of the SSR without mechanical processing

**Dimensions**



**Ordering code / technical data**

Type	Length [mm]	Thermal resistance [kW]	Weight [kg]
K20-75	75	1.5	0.42
K20-100	100	1.2	0.55
K40-75	75	1	0.72
K40-100	100	0.8	0.93
<b>Accessories</b>			
K-MSSR1P	Mounting set for 1 ~SSR		
K-MSSR3P	Mounting set for 3 ~SSR		
WLP35	Thermal compound 35 gr. box		

**Dimensioning instructions for heat sinks**

Typical current SSR	without cooling	Mounting at K20-75	Mounting at K20-100	Mounting at K40-75	Mounting at K40-100	Max. current Fuse characteristic B
25 A	6 A	12 A	18 A	20 A	20 A	10 A
50 A	8 A	20 A	25 A	35 A	40 A	25 A
125 A	16 A	40 A	50 A	60 A	80 A	63 A
3 x 50 A	3 x 4 A		3 x 15 A		3 x 25 A	20 A

Max. current at 45°C ambient temperature

... professional Instruments "MADE IN GERMANY"