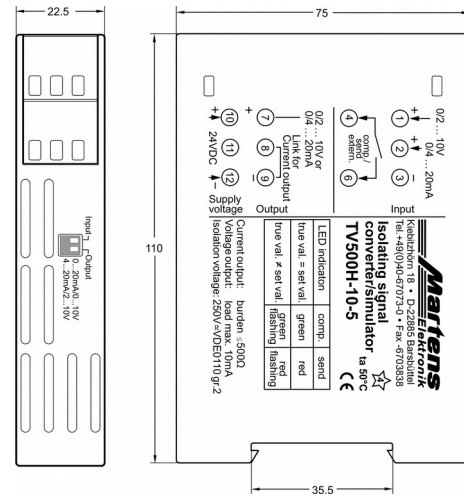


Product Information

**Isolating Signal Converter
 TV500H**



Dimensions



DIN rail mounting TS35

Characteristics

The TV500H brings the function of an isolating signal converter together with a set point adjuster and offers comparator and hold function. This combination offers therefore the possibility, to simulate a measuring value and the easy way to change the sensor without process interruption.

Technical data

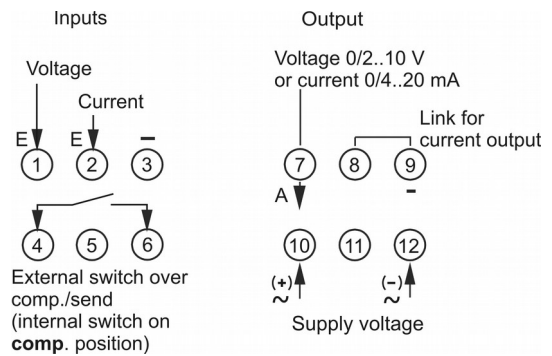
Power supply
 Supply voltage : 230 V AC ±10 % 47..63 Hz or
 24 V DC ±15%
 Power consumption : < 3 VA
 Operating temperature : -10..+50 °C
 CE-conformity : EN 55022, EN 60555-2
 IEC 61000-4-3/4/5/11/13

Input
 Current : 0/4..20 mA selectable, Ri = 43 Ω,
 overload max. 100 mA
 Voltage : 0/2..10 V selectable, Ri = 175 kΩ,
 overload max. 100 V

Output
 Programmable output
 Voltage → current : link between terminal 8 and 9
 Current : 0/4..20 mA selectable, burden < 500 Ω
 Voltage : 0/2..10 V selectable, load max. 10 mA
 Accuracy : < 0.2 %
 Rise time (T90) : < 40 ms

Case : standard polycarbonate 8020 UL94V-1
 acc. to DIN EN 60715:2001-09
 Weight : approx. 200 g
 Electrical connection : screw terminals, max. 2.5 mm²
 Protection class : case IP30,
 terminals IP20 acc. to BGV A3

Connection diagram



Ordering code

TV500H - 10 -

1. Supply voltage	
0	230 V AC ±10 %
5	24V DC ±15 %