

**Product Information**

**Isolating Signal Converter  
 TV500Ex / ST500Ex**

With integr. transmitter supply



**Characteristics**

TV500 isolating signal converter can be used to isolate and convert field signals 0/4..20 mA or 0/2..10 V DC out of the intrinsically area. The ST500 provides a fully floating isolated transmitter supply.

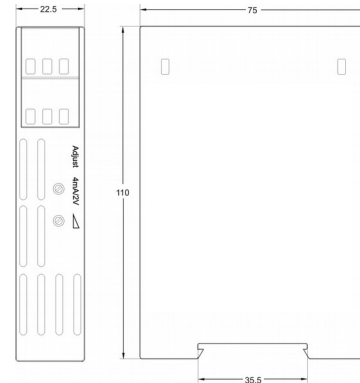
**Technical data**

- Power supply**  
 Supply voltage : 85..253 V AC/110..125 V DC or 10..30 V AC/DC  
 Frequency : 40..400 Hz  
 Power consumption : < 3.5 VA  
 Operating temperature : -10..+55 °C  
 CE-conformity : ATEX directive 94/9/EG  
 EMC directive 2004/108/EG  
 Standards : EN 60079-0:2013,  
 EN 60079-11:2012,  
 EN 61326-1:2004-05
- Explosion protection**  
 Certification : TÜV 97 ATEX 1150, 2. annex  
 Approval : Ⓜ II (1) G [Ex ia Ga] IIC,  
 II (1) D [Ex ia Da] IIIC
- Inputs**  
 Current : 0/4..20 mA selectable, Ri 25 Ω  
 overload max. 100 mA  
 Voltage : 0/2..10 V DC selectable,  
 Ri 40 kΩ, overload max. 100 V
- Span and start value  
 4 mA/2 V : adjustable approx. ± 20 %  
 Transmitter supply : approx. 20 V DC, Ri approx. 300 Ω,  
 (only ST500Ex) short-circuit current < 27 mA
- Outputs**  
 Current : 0/4..20 mA selectable,  
 burden max. 1 kΩ  
 Voltage : 0/2..10 V selectable,  
 load max. 15 mA, short-circuit-proof  
 (parallel with current output max. 5 mA)
- Rise time (t<sub>90</sub>) : < 100 ms  
 Accuracy : 0.25 %
- Case**  
 : standard case polycarbonate 8020 UL94V-1  
 acc. to DIN EN 60715:2001-09, TS35
- Weight : approx. 200 g  
 Connection : screw terminals, max. 2.5 mm<sup>2</sup>  
 Protection class : case IP30,  
 terminals IP20 acc. to BGV A3

**Mounting area**

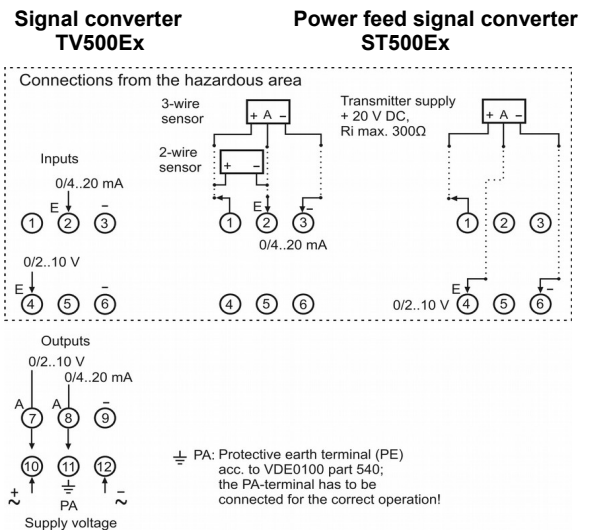
Mounting in dry, clean and well monitored areas  
 For more details see user manual.

**Dimensions**

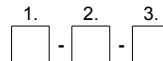


DIN rail mounting TS35

**Connection diagram**



**Ordering code**



<b>1. Model</b>	TV500Ex	signal converter
	ST500Ex	power feed signal converter
<b>2. Measuring range</b>	10	inputs 0/4..20 mA and 0/2..10V outputs 0/4..20 mA and 0/2..10V
<b>3. Supply voltage</b>	0	85..253 V AC
	5	10..30 V AC/DC