

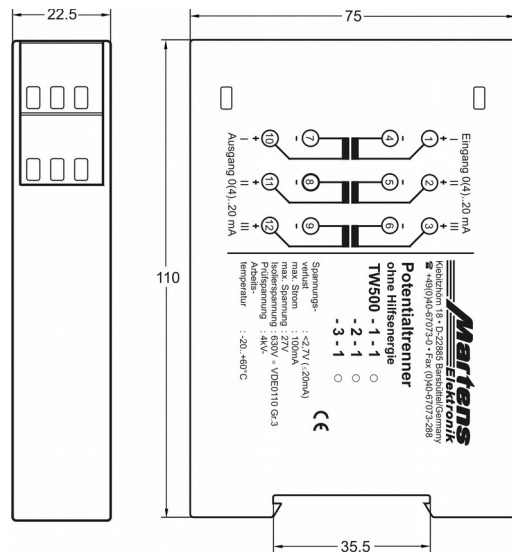
Product Information

**Isolating Signal Converter
 TW500**

Loop powered 0(4)..20 mA



Dimensions



DIN rail mounting TS35

Characteristics

Loop powered signal isolator TW 500 are highly compact devices to isolate DC-current signals 0(4)..20 mA without power supply. Up to 3 channels are deliverable in one 22.5 mm DIN rail housing.

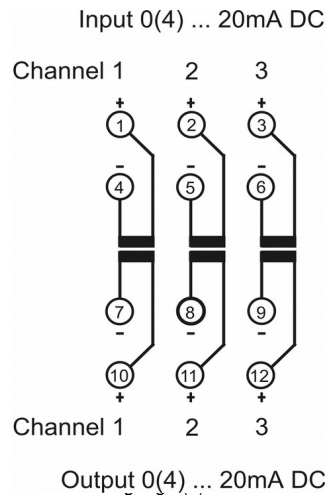
Technical data

Input
 Current : 0(4)..20 mA DC
 Max. current : 100 mA
 Max. voltage : 27 V DC
 Voltage drop : < 2.7 V (I ≤ 20 mA)
 Test voltage : 4 kV DC input / output
 Rated voltage : 630 V acc. to VDE 0110 group 2
 Operating temperature : -20..+60 °C
 CE-conformity : EN55022, IEC61000-4-2/4

Output
 Current : 0(4)..20 mA
 Max. current : max. input current
 Burden : < 1200 Ω (I ≤ 20 mA)
 Rise time (T₉₀) : < 30 ms
 Accuracy : < 0.1 %
 Burden error : < 0.0008 %/Ω
 Temperature coefficient : < 0.001 %/°C
 Ripple : < 0.2 %

Case : standard case polycarbonate 8020 UL94V-1 acc. to DIN EN 60715:2001-09, DIN rail TS35
Weight : approx. 140 g
Connection : screw terminals, max. 2.5 mm²
Protection class : case IP30, terminals IP20, acc. to BGV A3

Connection diagram



Note:
 Not used outputs must be shorted by a link.

Ordering code

TW500 - 1 - 1

1. Model	
1	1-channel
2	2-channels
3	3-channels