

Product Information

**Vibration Limit Switch
 VS51**



- Level measurement for liquids
- Process pressure -1..+64 bar
- 4 pole angle entry plug acc. to EN 175301-803/A

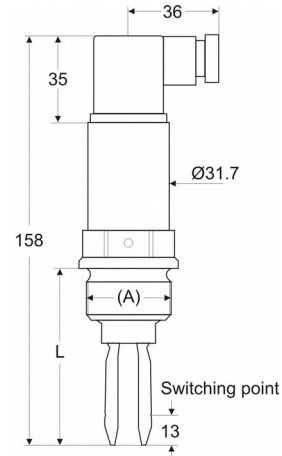
Characteristics

The VS 51 will be appointed as multipurpose limit switch in liquids. It detects exact and accurate to the millimeter the filling height. The installation is independent of the mounting direction. The device is applicable as full- or empty indicator, overflow- and dry-running guard.

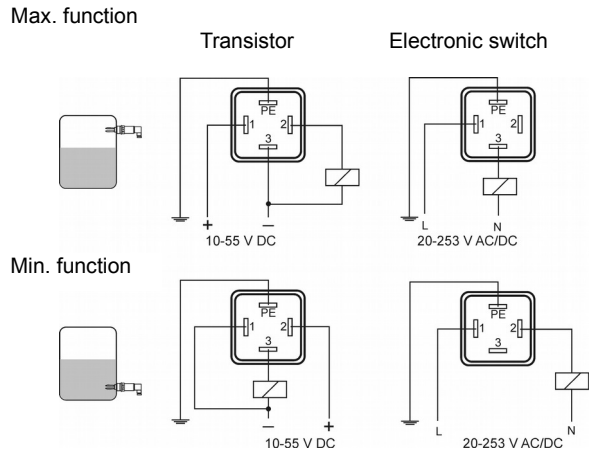
Technical data

- Power supply**
Transistor output : 10..55 V DC, short-circuit-proof
 Load current : < 250 mA
 Power consumption : max. 0.5 W
 Voltage drop : <1 V
Electronic output : 20..253 V AC 50/60Hz/ DC
 No load current : 3 mA
 Load current : 10 mA min/ 250 mA max.
 Switching function : Min. - Max.
 depends to the connection mode
- Connection : 4-pol. angle entry plug acc. to EN 175301-803/A
- Process data**
 Process pressure : -1..+64 bar
 Process temperature : -40..+100 °C
 Ambient temperature : -40..+70 °C at the case
 Storage temperature : -40..+80 °C
 Viscosity dynamical : 0.1..10000 mPa s
- Material**
 Case : stainless steel 316L, plastic PEI
 Seal : Klingersil C-4400
 Protection class : IP65

Dimensions



Connection diagram



Ordering code

VS51 - 1. - 2. - 3.

1. Switching output	
1	PNP transistor output 10..55 V DC
2	electronic output 20..253 V AC/DC
2. Process connection (A)	
G ¾ A	L = 66 mm
G 1 A	L = 69 mm
3. Options	
00	without option