

**Product Information**

**Standard Counter  
 SZ9648**



- 1 input for contact (debounced) max. 30 Hz
- 1 input for electronic max. 15 kHz
- Auto reset or external reset
- LED-Display 14.2 mm red, indicating range 0..999999 Digit
- Max. 4 alarm outputs, relay SPDT or transistor

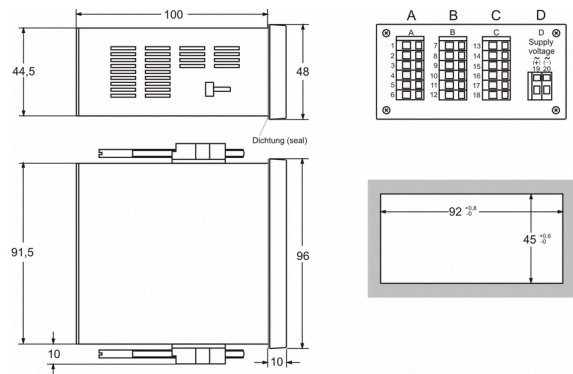
**Characteristics**

The Standard Counter SZ9648 is available as totalizing counter or preselect counter. It operates in up-counting function. The device offers separate counting inputs for proximity switch, light barriers, other electronic signals and for mechanical contacts.

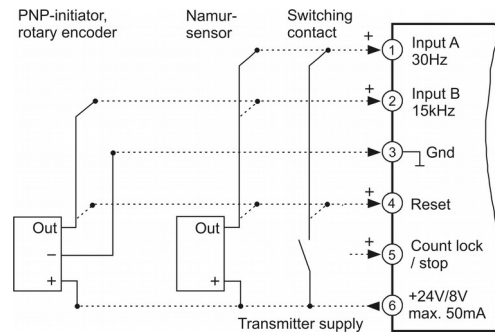
**Technical data**

- Power supply**  
 Supply voltage : 230 V AC  $\pm 10\%$ ; 115 V AC  $\pm 10\%$ ;  
 24 V AC  $\pm 10\%$  or 24 V DC  $\pm 15\%$
- Power consumption : max. 3.5 VA  
 Operating temp. : -10..+55 °C Standard  
 CE conformity : EN 55022, EN 60555,  
 IEC 61000-4-3/4/5/11/13
- Input**  
 PNP sensor : Ri = 6,3 k $\Omega$   
 level: < 4 V low; > 8.5 V high;  
 hysteresis > 2.5 V; max. 35 V DC
- Namur sensor : Ri approx. 1 k $\Omega$  (< 4 mA)  
 level: < 1 mA low; > 2.2 mA high;  
 hysteresis > 0.5 mA; max. 35 V DC
- Counting frequency : input A = 30 Hz max.,  
 debounced for contact  
 input B = 15 kHz, electronic
- Counting loss : 100  $\mu$ s at reset;  
 20 ms changing of preselect value
- Min. pulse width : electronic pulse 50  $\mu$ s, switch contact 5 ms  
 External reset : min. pulse width  $\geq$  10 ms  
 Transmitter supply : 8 V DC (Namur), 24 V DC (PNP),  
 Ri approx. 150  $\Omega$ , max. 50 mA  
 (25 mA with 4 relay outputs)
- Display**  
 Indicating range : LED red, 14.2 mm  
 : 0..999999 Digit with leading zero  
 suppression  
 Additional display : LED 2-digit red, 7 mm  
 (parameter - and output indicator)
- Output**  
 Relay : SPDT < 250 V AC < 250 VA < 2 A,  
 < 300 V DC < 50 W < 2 A  
 Transistor : max. 35 V AC / DC, 100mA,  
 short circuit proof
- Case**  
 : panel case DIN 96x48,  
 material PA6-GF; UL94V-0
- Dimensions : front 96x48 mm, mounting depth 100mm  
 Weight : max. 390 g  
 Connection : clamp terminals, 0.08..1.5 mm<sup>2</sup>,  
 AWG28..AWG14  
 Protection class : front IP65, terminals IP20 acc. to BGV A3

**Dimensions**



**Connection diagram**



**Ordering code**

SZ9648 -  1. -  2. -  3. -  4. -  5. -  6. -  7.

<b>1. Terminal strip A</b>	
1	2 count inputs 30 Hz and 15 kHz, 2 additional control inputs, integrated transmitter supply 24V max. 50 mA
<b>2. Terminal strip B</b>	
00	not installed
2R	2 relay outputs
2T	2 electronic outputs
<b>3. Terminal strip C</b>	
00	not installed
2R	2 relay outputs
2T	2 electronic outputs
<b>4. Terminal strip D; supply voltage</b>	
0	230 V AC $\pm 10\%$ 50-60Hz
1	115 V AC $\pm 10\%$ 50-60Hz
4	24 V AC $\pm 10\%$ 50-60Hz
5	24 V DC $\pm 15\%$
<b>5. Options</b>	
00	without option
<b>6. Unit (appears in the unit field)</b>	
<b>7. Additional text</b> placed above the display (3x90 mm HxW)	

Connection diagram for terminal strips B-D see page Fehler:  
 Referenz nicht gefunden