

**Product Information**

# Universal Counter UZ1010



- Counting, length measurement, metering, positioning
- 2 digital input channels for summation- and subtraction
- Integrated transmitter-supply
- Max. 2 preselect outputs, relay SPDT
- Field case with snap lid, cable glands 2xM16x1.5

## Characteristics

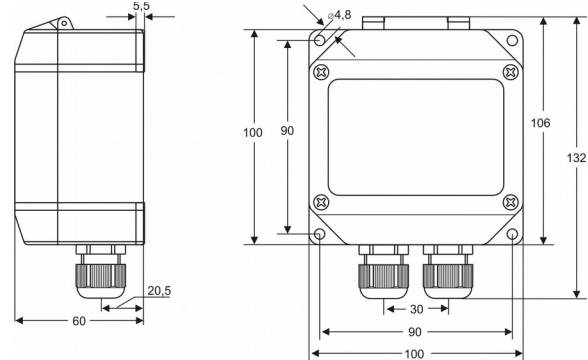
The universal counter UZ1010 has been designed for field application in process control and automation. Parameters for operation mode can be programmed. The counter can be used wherever quantity processes should be measured, displayed and monitored.

## Technical data

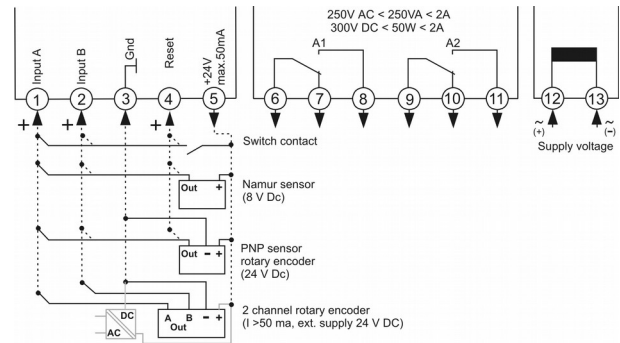
- Power supply**  
 Supply voltage : 230 V AC  $\pm 10\%$ ; 115 V AC  $\pm 10\%$ ;  
 24 V AC  $\pm 10\%$  or 24 V DC  $\pm 15\%$
- Power consumption : max. 3.5 VA  
 Operating temp. : -20..+55 °C  
 CE- conformity : EN 55022, EN 60555,  
 IEC 61000-4-3/4/5/11/13
- Input**  
 PNP sensor : Ri = 6.3 k $\Omega$   
 level: < 4 V low; > 8.5 V high;  
 hysteresis > 2.5 V; max. 35 V DC
- Namur sensor : Ri approx. 1 k $\Omega$  (< 4 mA)  
 level: < 1 mA low; > 2.2 mA high;  
 hysteresis > 0.5 mA; max. 35 V DC
- Counting frequency : input A or B = 15 kHz  
 A and B together = 6 kHz,  
 debounced for contact= 30 Hz
- Counting loss : 100  $\mu$ s at reset;  
 20 ms changing of preselect value
- Min. pulse width : electronic pulse 50  $\mu$ s, switch contact 5 ms  
 External reset : min. pulse width  $\geq$  10 ms  
 Transmitter-supply : 8 V DC (Namur), 24 V DC (PNP),  
 Ri approx. 150  $\Omega$ , max. 50 mA
- Display**  
 : LED red, 14.2 mm  
 Indicating range : -99999..999999 digit  
 Additional display : LED 2-digit red, 7 mm  
 (parameter- and output indicator)
- Output**  
 Relay : SPDT < 250 V AC < 250 VA < 2 A,  
 < 300 V DC < 50 W < 2 A
- Field case**  
 : material PA6-GF 15/15  
 Dimensions : 100x100x60 mm

- Weight : max. 450 g  
 Cable glands : 2 x M16x1.5  
 Connection : clamp terminals, 0.08..1.5 mm<sup>2</sup>,  
 AWG28..AWG14  
 Protection class : front IP65, terminals IP20 acc. to BGV A3

## Dimensions



## Connection diagram



## Ordering code

UZ1010 -  1. -  2. -  3. -  4. -  5. -  6.

<b>1. Input</b>	
1	2 configurable count inputs, wide range of count functions, display conversion, reset input, integrated transmitter supply 24V max. 50 mA
<b>2. Alarm output</b>	
00	not installed
2R	2 relay outputs
<b>3. Supply voltage</b>	
0	230 V AC $\pm 10\%$ 50-60Hz
1	115 V AC $\pm 10\%$ 50-60Hz
4	24 V AC $\pm 10\%$ 50-60Hz
5	24 V DC $\pm 15\%$
<b>4. Options</b>	
00	without options
09	1xM20x1.5 multi (2x $\varnothing$ 6 mm), 1xM20x1.5
<b>5. Unit (appears in the unit field)</b>	
<b>6. Additional text</b> placed above the display (3x70 mm HxW)	