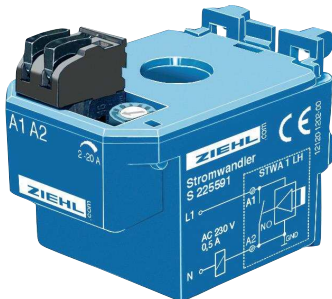


AC-Electronic Current Transformer STWA1LH

with output AC 230 V / 0,5 A

STWA1LH



The electronic current transformer STWA1LH monitors alternating currents 2 ... 20 A. For lower currents, the monitored wire can be led multiple times through the transformer. Used in the secondary circuit of transformers (e.g. 100/5 A), it is possible to monitor higher currents.

The STWA1LH directly switches alternating voltage up to AC 230 V / 0,5 A.

- Control of ventilations or suction plants
- Control of valves at suction plants in the wood-working industry

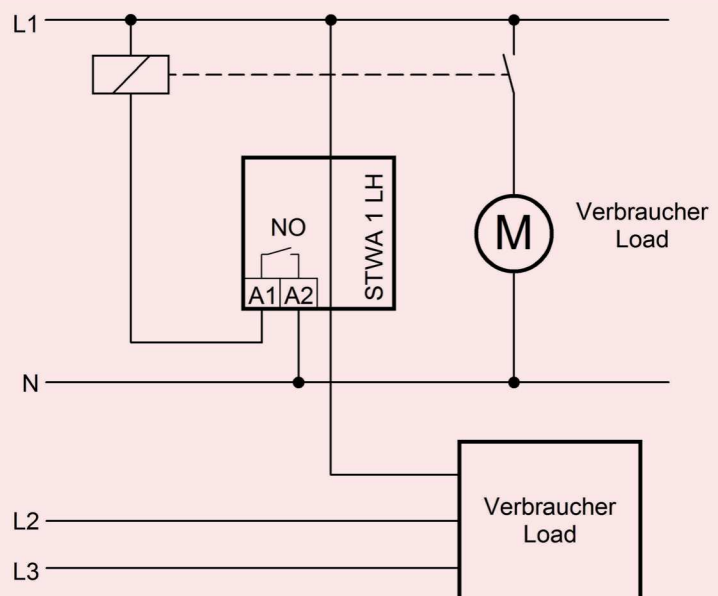
Features

- Monitoring of alternating current up to 20 A
- Response value adjustable 2 ... 20 A
- Two-wire contact (voltage supply through output)
- Operating voltage AC 24 ... 230 V
- Transformer, \varnothing 11 mm
- Space-saving, easy mounting
- Potential separation between monitored current circuit and switch output

Order-numbers:

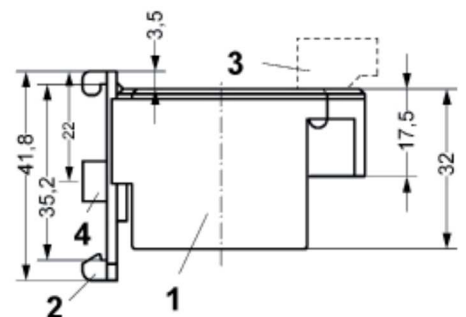
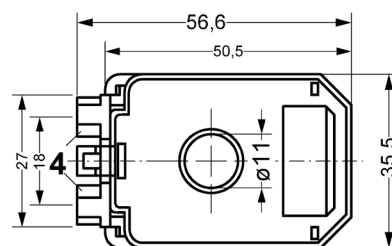
S225591

Automatic switching-on of additional consumers



Technical Data STWA1LH

Operating voltage	Operating voltage	AC 24...240 V
	Operating voltage tolerance	± 10 %
	Frequency	60/60 Hz
	Overvoltage category	III (EC 60 664)
Current measuring range	Current measuring range	AC 2...20 A For lower currents, the monitored wire can be led multiple times through the transformer
	Maximum permanent current	AC 40 A
	Maximum excess current	AC 100 A for 60 s
Output	Maximum output current	AC 500 mA
	Minimum output current	ca. 10 mA
	Voltage drop	≤ AC 8 V
	Leakage current	≤ AC 2 mA at 230 V
	Switch	solid state
	Electromagnetic compatibility	EN 61000-6-2 and EN 61 000-6-4
	Adjustment accuracy	± 15 %
	Repeat accuracy	± 5 %
	Hysteresis	ca. 10 % of value
	Release time	On = <100 ms...800 ms Off = app. 1,5 s
	Design dimensions (H x W x D)	housing H 50 x 36 x 56 mm
	Fitting position	any
	max. ambient temperature range	0...55 °C
	storage temperature	- 20...+70 °C
Attachment	35 mm standard rails conform to EN 50 022 or M 4 screws	
Protection	IP 20	
Weight	approx. 90 g	



- 1 Housing
- 2 Clip for DIN-rail (removeable)
- 3 Terminal (pluggable)
- 4 Wall-mounting (M4)